

SYSTEM-10 BTU METER
Siemens P1-FLN Version
Installation and Operation Guide



NOTE: Also refer to Siemens' Application Note, Document No. 140-0280

SAFETY INFORMATION

This meter was calibrated at the factory before shipment. To ensure correct use of the meter, please read this manual thoroughly.

Regarding This Manual:

- This manual should be passed on to the end user.
- Before use, read this manual thoroughly to comprehend its contents.
- The contents of this manual may be changed without prior notice.
- All rights reserved. No part of this manual may be reproduced in any form without ONICON's written permission.
- ONICON makes no warranty of any kind with regard to this material, including, but not limited to, implied warranties of merchantability and suitability for a particular purpose.
- All reasonable effort has been made to ensure the accuracy of the contents of this manual. However, if any errors are found, please inform ONICON.
- ONICON assumes no responsibilities for this product except as stated in the warranty.
- If the customer or any third party is harmed by the use of this product, ONICON assumes no responsibility for any such harm owing to any defects in the product which were not predictable, or for any indirect damages.

Safety Precautions:

The following general safety precautions must be observed during all phases of installation, operation, service, and repair of this product. Failure to comply with these precautions or with specific WARNINGS given elsewhere in this manual violates safety standards of design, manufacture, and intended use of the product. ONICON Incorporated assumes no liability for the customer's failure to comply with these requirements. If this product is used in a manner not specified in this manual, the protection provided by this product may be impaired.

The following symbols are used in this manual:



WARNING

Messages identified as "Warning" contain information regarding the personal safety of individuals involved in the installation, operation or service of this product.



CAUTION

Messages identified as "Caution" contain information regarding potential damage to the product or other ancillary products.



IMPORTANT NOTE

Messages identified as "Important Note" contain information critical to the proper operation of the product.

TABLE OF CONTENTS

1.0	INTRODUCTION	5
1.1	PURPOSE OF THIS GUIDE	5
1.2	TYPICAL SYSTEM-10 BTU METER	5
1.3	STANDARD FEATURES AND SPECIFICATIONS.....	5
1.4	ADDITIONAL REQUIRED HARDWARE	7
1.5	WORKING ENVIRONMENT	7
1.6	WARRANTY AND SERIAL NUMBER	7
2.0	UNPACKING	8
2.1	CHECKING THAT YOU HAVE RECEIVED EVERYTHING	8
3.0	INSTALLATION.....	9
3.1	SITE SELECTION	9
3.2	MECHANICAL INSTALLATION	10
3.2.1	Main Unit Installation	10
3.2.2	Thermowell Installation	11
3.2.2.1	Standard Thermowells	11
3.2.2.2	Hot Tap Thermowells	11
3.2.3	Temperature Sensor Installation	13
3.2.4	Flow Meter Installation	14
3.3	ELECTRICAL INSTALLATION	15
3.3.1	Input Power	15
3.3.2	Input Signal Connections	18
3.3.2.1	Input Signal Connections from Temperature Sensors..	18
3.3.2.2	Input Signal Connections from Insertion Turbine.....	19
3.3.2.3	Input Signal Connections from F-2500 Meters.....	19
3.3.2.4	Input Signal Connections from F-2600 & F-2700	20
3.3.2.5	Input Signal Connections from F-3100 & F-3200	20
3.3.2.6	Input Signal Connections from F-3500 Meters.....	21
3.3.2.7	Input Signal Connections from FB-3500 Meters	21
3.3.2.8	Input Signal Connections from F-4200 Meters.....	22
3.3.3	Contact Closure Output for Energy Total(s) and Mode	23
3.3.4	Isolated Analog Output(s)	24
3.3.5	Network Signal Connections	25
3.3.6	Optional Isolated Digital Pulse Input (Di3)	26
4.0	SYSTEM-10 START-UP AND COMMISSIONING	29
4.1	DISPLAY AND KEYPAD OPERATION	29
4.2	PROCESSOR START-UP	29
4.3	UNITS AND MULTIPLIERS	30
4.4	ANALOG OUTPUTS	30
4.5	ENTERING A NETWORK ADDRESS, SELECTING THE FLOW METER LOCATION & ENABLING / DISABLING FRONT PANEL RESET	31
4.5.1	Application Number	32
4.6	SYSTEM-10-P1 POINT DATABASE	33
4.6.1	System-10-P1 Point Database	33
4.7	COMMISSIONING	35

TABLE OF CONTENTS (CONTINUED)

5.0	DIAGNOSTICS	39
5.1	DIAGNOSTICS.....	39
5.1.1	DIAGNOSTIC LIGHTS.....	39
5.1.2	FLOW TEST SIGNALS.....	39
5.1.3	TEMPERATURE TEST SIGNALS	39
5.2	ALARM STATUS MEUU	40
5.3	TEMPERATURE TEST SIGNALS.....	41

APPENDIX A – DRAWINGS

A-1	TYPICAL SYSTEM INSTALLATION
A-2	STANDARD THERMOWELL ASSEMBLY
A-3	THERMOWELL INSTALLATION
A-4/A-5	HOT TAP THERMOWELL (2 PAGES)
A-6	STANDARD INSTALLATION DETAIL FOR THERMOWELL
A-7	STANDARD INSTALLATION DETAIL FOR HEAVY DUTY THERMOWELL
A-8	TEMPERATURE SENSOR ASSEMBLY
A-9	MOTHER BOARD TEMPERATURE SENSOR INPUT CONNECTIONS
A-10	MOTHER BOARD INSERTION TURBINE METER INPUT CONNECTIONS
A-11	MOTHER BOARD INSERTION ELECTROMAGNETIC INPUT CONNECTIONS
A-12	MOTHER BOARD F-2500 INPUT CONNECTIONS
A-13	MOTHER BOARD F-2600 & F-2700 VORTEX INPUT CONNECTIONS
A-14	MOTHER BOARD INLINE ELECTROMAGNETIC INPUT CONNECTIONS
A-15	MOTHER BOARD F-3500 INPUT CONNECTIONS
A-16	MOTHER BOARD FB-3500 INPUT CONNECTIONS
A-17	MOTHER BOARD F-4200 INPUT CONNECTIONS
A-18	MOTHER BOARD
A-19	BTU COMPUTER BOARD
A-20	POWER SUPPLY BOARDS
A-21	P1 BOARD
A-22	P1 BOARD WITH AUXILIARY PULSE INPUT (Di3)
A-23	BTU METER ANALOG OUTPUT BOARD (with 1 analog output)
A-24	BTU METER ANALOG OUTPUTS BOARD (with 4 analog outputs)
A-25	CONDITIONS OF SALE

SECTION 1.0: INTRODUCTION

1.1 PURPOSE OF THIS GUIDE

The purpose of this guide is to provide installation and commissioning procedures and basic operating and servicing instructions for the ONICON SYSTEM-10 BTU Meter equipped with a Siemens Floor Level Network Communications Driver and Point Database.

NOTE: Also refer to Siemens' Application Note, Document No. 140-0280.

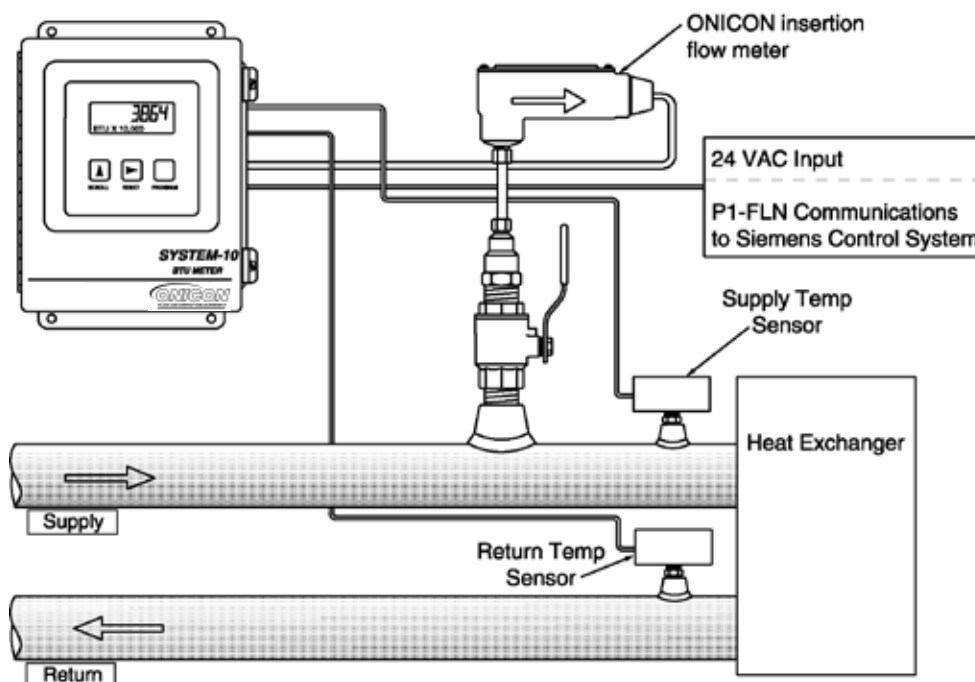


WARNING

Only qualified service personnel should attempt to install or service this product. Serious injury may result from the improper unistallation or use of this product.

1.2 TYPICAL SYSTEM-10 BTU METER

ONICON'S System-10 is a true heat (BTU) computer, which accepts data from several sensors, performs a series of computations with that data, and displays and/or transmits the results as an indication of the amount of heat (BTU's) being transferred per unit time or as a totalized amount.



1.3 STANDARD FEATURES AND SPECIFICATIONS

- Single mode BTU calculations, in either the heating or cooling mode, are totalized, displayed and reported to the P1 network.
- Two-pipe dual mode BTU calculations in both the heating mode and the cooling mode are totalized, displayed and reported separately to the P1 network.
- B-directional dual mode BTU calculations are totalized, displayed and reported separately to the P1 network.

GENERAL SPECIFICATIONS

CALIBRATION

Flow meter and temperature sensors are individually calibrated, followed by a complete system calibration. Field commissioning is also available.

ACCURACY

TEMPERATURE

Overall differential temperature measurement uncertainty of $\leq \pm 0.15$ °F over the stated range (Includes uncertainty associated with the sensors, transmitters, cabling and calculator input circuitry)

Temperature sensors meet EN1434 / CSA C900.1 accuracy requirements for 1K sensors for cooling applications, 32 – 77 °F
Temperature sensors meet EN1434 / CSAC900.1 accuracy requirements for 2K sensors for heating applications, 140 – 212 °F

CALCULATOR

Computing nonlinearity within $\pm 0.05\%$

Calculator meets EN1434 / CSAC900.1 class 1 accuracy requirements for 2K sensors for all applications

TEMPERATURE SENSORS

Solid state sensors are custom calibrated using N.I.S.T. traceable temperature standards.
Current based signal (mA) is unaffected by wire length.

PROGRAMMING

Factory programmed for specific application

MEMORY

Nonvolatile EEPROM memory retains all program parameters and totalized values in the event of power loss.

DISPLAY

Alphanumeric LCD displays total energy, total flow, energy rate, flow rate, supply temperature and return temperature
Alpha: 16 character, 0.2" high
Numeric: 6 digit, 0.4" high

P1 OUTPUT POINTS

Name	Point Type/ Category	Units
Total Energy	3/LAI	BTU, kW-hrs or ton-hrs
Energy Rate	1/LAI	BTU-hr, kW or tons
Total Flow	3/LAI	gallons, liters or meters ³
Flow Rate	1/LAI	gpm, gph, mgd, l/s, l/m, l/hr or m ³ /hr
Supply Temperature	1/LAI	°F or °C
Return Temperature	1/LAI	°F or °C
Delta T	1/LAI	°F or °C
Energy Total Reset	1/LDO	Not applicable
Flow Total Reset	1/LDO	Not applicable
Auxilliary Input 1	3/LAI	Pulse Accumulator
Auxilliary Input Reset	1/LDO	Not applicable

ADDITIONAL OUTPUT SIGNALS

Standard: Isolated solid-state dry contacts for energy total
Maximum contact ratings: 100 mA, 50VDC
Contact duration: 0.5, 1, 2 or 6 seconds (factory selectable)
Optional: Multiple isolated analog outputs for energy rate, flow rate, supply and return temperatures and delta T (factory selectable)

Output type: 4-20mA, 0-10 volt or 0-5 volt (field selectable)

Optional Interval Data Logging:

This option provides up to 24 hours of rate and total data logging in 15 minute intervals. Data includes date/time stamp, measured value & scaling factors when appropriate.

LIQUID FLOW SIGNAL INPUT

0-15 V pulse output from any ONICON flow meter

TEMPERATURE RANGE

Liquid temperature range: 32° F to 200° F
Optional extended temperature range available.
Ambient temperature range: -20° F to 140° F

MAINTENANCE

ONICON recommends periodic inspection and recalibration for sensors connected to the System-10 BTU Meter. No other periodic maintenance is required for the main unit.

MECHANICAL

ELECTRONICS ENCLOSURE:

Standard: Steel NEMA 13, wall mount, 8"x10"x4"

TEMPERATURE SENSOR THERMOWELLS:

Standard: ½" NPT brass thermowells (length varies with pipe size) with junction box

Note: 6" pipes and larger require SS thermowell option

Optional:

- ½" NPT stainless steel thermowells
- Outdoor junction box with thermal isolation
- Hot tap thermowells for installations in a pressurized system with no shutdown

ELECTRICAL

This equipment is intended for INSTALLATION CATEGORY (OVERVOLTAGE CATEGORY) II applications.

INPUT POWER:

Factory Selectable:

- 24 ± 4 VAC 50/60 Hz, 500 mA
- 120 VAC 50/60 Hz, 250 mA
- 230 VAC 50 Hz, 250 mA

INTERNAL FUSE RATINGS:

- 24 VAC - 1 Amp Slo-Blo, 3AG Fuse
- 120 VAC - 1/4 Amp Slo-Blo, 3AG Fuse
- 230 VAC - 1/8 Amp Slo-Blo, 3AG Fuse

OUTPUT:

24 VDC, 250 mA maximum

OVERCURRENT PROTECTIVE DEVICE RATINGS:

- Supply mains overcurrent protective devices with the following ratings:
- 120 VAC 50/60 Hz – 15 A
 - 230 VAC 50 Hz – 6 A

WIRING:

Temperature signals: Use 18-22 ga twisted shielded pair
Flow signals: Use 18-22 ga shielded cable – see *Flow Meter Specification Sheet* or *Owner's Manual for ONICON Insertion Turbine Flow Meter* for the correct number of conductors

24 ± 4 VAC input power: Use PVC jacketed copper cable with a wire gauge suitable for the length of run and required maximum current carrying capacity. The installation must comply with all local, state and federal building codes.

120/230 VAC input power: Use a three wire service with one wire protective earth ground. The installation must comply with all local, state and federal building codes.

Note: Specifications are subject to change without notice.

1.4 ADDITIONAL REQUIRED HARDWARE

ONICON offers a wide variety of flow meters to satisfy most hydronic energy metering applications.

Model F-1100 Single Turbine Insertion Flow Meter

For line sizes 1¼” and larger with 25 diameters of straight pipe run available for installation. (F-1100 can also be used with 1” copper lines.)

Model F-1200 Dual Turbine Insertion Flow Meter

For line sizes 2½” and larger with 15 diameters of straight pipe run available for installation.

Model FB-1200 Bi-Directional Insertion Flow Meter

For bi-directional flow applications in line sizes 2½” and larger with 20 diameters of straight pipe run available for installation.

Model F-1300 Inline Turbine Flow Meter

For line sizes ¾” and 1” with 25” of straight pipe run available for installation.

Model F-3500 Insertion Electromagnetic Flow Meter

For line sizes 3” and larger. (See F-3500 manual for straight run requirements).

Model F-26 Inline Vortex Flow Meter**

(Suitable for use in higher temperature applications).

For line sizes 1” through 12” (See Vortex Flow Meter manual for straight run requirements).

Model F-31 / F-32** Inline Electromagnetic Flow Meter**

For line sizes ¼” and larger with 5 diameters of straight pipe run available for installation.

Please refer to ONICON’s flow meter literature, or contact ONICON for help in selecting the flow meter that will best fit your requirements.

1.5 WORKING ENVIRONMENT

The SYSTEM-10 was designed for installation and use in typical industrial environments that are free of corrosive liquids and fumes, direct liquid exposure, temperature extremes and vibrations. Do not expose the meter to direct sunlight.

The operating ambient air temperature range is -20° F to 140° F. The electrical power should be relatively clean, free of high frequency noise, large voltage transients, and protected from power surges and brown outs.

1.6 WARRANTY & SERIAL NUMBER

Warranty

ONICON’s 2-year “No-fault” warranty reduces start-up costs by extending coverage for incidental damage during installation. Certain exclusions apply. Please refer to ONICON’s Conditions of Sale for details.

Serial Number

The serial number of your SYSTEM-10 is located outside and inside the main unit. All components of your SYSTEM-10 (flow meter, temperature sensors, and main unit) should bear identical serial numbers if ordered together. The serial numbers are unique identifiers that you should have available when contacting ONICON for assistance regarding your system.

SECTION 2.0: UNPACKING

The SYSTEM-10 is generally shipped in one package unless optional hardware or equipment is ordered. (Thermowells may have been shipped in advance.) Notify the freight carrier (all products are shipped insured) and ONICON if any items are damaged in transit.

NOTE: Flow meters are packed separately.

2.1 CHECKING THAT YOU HAVE RECEIVED EVERYTHING

- **Standard Documentation**

Enclosed with each SYSTEM-10 is a comprehensive documentation package that includes the following items:

The SYSTEM-10 BTU Meter Installation and Operation Guide
The BTU Meter Certificate of Calibration

Please notify ONICON if any of these items are missing.

IMPORTANT NOTE

The ONICON System-10 BTU Measurement System is a custom calibrated system. Unless specifically noted in writing by ONICON, ALL COMPONENTS (Btu meter, flow meter, and temperature sensors) share the same serial number and must be installed together as a system. Mixing components from different systems will result in significant errors in calibration.

- **The Main Unit**

Remove the SYSTEM-10 from the shipping carton and inspect it for physical damage. When you complete the external inspection, open the SYSTEM-10 main unit and remove the plastic bag containing the temperature sensors. Inside the main unit there are at least three circuit boards (the number may vary according to the options purchased). Ensure that the boards and connectors are securely plugged into the mother board (Appendix A-13). Please notify ONICON immediately if you find any discrepancies.

- **Temperature Sensors**

Temperature sensors are shipped inside the main unit. Inspect the sensors and cables for external damage. Each sensor should have a label attached with a serial number identical to that found on the SYSTEM-10 main unit.

- **Temperature Thermowells**

Note that thermowells and installation hardware are frequently shipped in advance of the meter(s). Otherwise, the standard thermowells and installation hardware are packed with the main unit. Optional hot tap thermowells will be shipped in a separate box.

- **The Flow Meter**

The flow meter calibrated with this BTU meter came complete with an instruction manual. Please refer to the flow meter instruction manual for detailed information regarding the installation, commissioning, and operation of the flow meter.

Each BTU meter is calibrated to a specific flow meter and must be used together as a system. If the flow meter and BTU meter were purchased together, the serial number on the flow meter should match the serial number on the label mounted directly on the BTU meter.

SECTION 3.0: INSTALLATION

The SYSTEM-10 BTU Meter should be installed by experienced plumbers, electricians, and others with related knowledge and experience in the heating, cooling, and fluid metering fields. ONICON will be happy to assist with technical recommendations and to provide guidance by telephone and/or email. On-site field engineering, installation, and service are also available at an additional cost. The installer should use good trade practices and must adhere to all state and local building, or other, applicable codes.

Before you begin, clean the external surfaces of all pipes at the installation sites so that they are free of debris, foreign matter, solids, leak inhibitors, and chemically aggressive substances. Flush the entire system so that it is free of flux, solder, pipe and tube cuttings and any other free moving particles.

3.1 SITE SELECTION

Careful attention to the site selection for the system components will help the installers with the initial installation, reduce start-up problems, and make future maintenance easier. For example, do not install the flow meter where it will be difficult for personnel to perform periodic maintenance. When selecting a site for mounting the system components, consider the criteria under Section 1.5: WORKING ENVIRONMENT, as well as the following:

IMPORTANT NOTE

i

Proper site selection is critical to the performance of this Btu meter. Both the flow meter and the two temperature sensors must be properly located within the piping system in order to ensure an accurate energy measurement.

- **The Main Unit**

Find an easily accessible location where wire connections can be made and meter readings can be taken from floor level. Mount the System-10 enclosure on a vibration free surface. Avoid locations such as the plenum of a fan coil, heat exchanger or any housing that may contain electric motors or other strong sources of electrical interference.

- **The Flow Meter**

When properly installed, the flow meter will only measure flow associated with that portion of the piping system for which the energy measurement is being made. The flow meter may be installed in either the supply or return line. Choose the location with the longest straight run of unobstructed pipe. Please refer to the flow meter installation manual for specific information regarding the straight run requirements for the flow meter used with this SYSTEM-10 BTU Meter.

- **The Temperature Sensors**

The two temperature sensors must be located in such a manner as to accurately measure only the temperature of the supply line entering and the return line leaving the portion of the piping system for which the energy measurement is being made.

If possible, find an easily accessible location where wire connections can be made from floor level. This will facilitate any future service. Place the temperature sensors away from strong sources of electrical noise that might affect the performance of the sensors.

One temperature sensor thermowell will need to be placed in the same pipe with the flow meter. It should be located on the downstream side of the flow meter. The downstream distance between the thermowell and flow meter should be at least five pipe diameters, leaving enough clearance to remove either sensor from the pipe without interference from the other sensor.

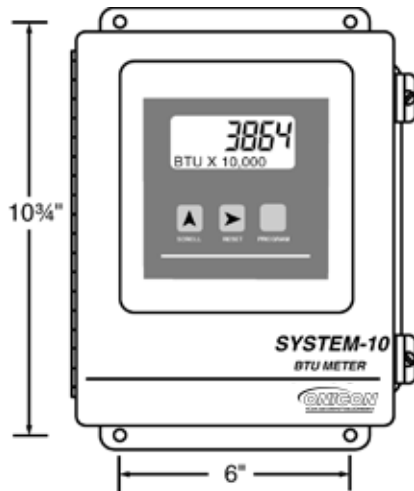
3.2 MECHANICAL INSTALLATION

IMPORTANT NOTE

i

The ONICON System-10 BTU Measurement System is a custom calibrated system. Unless specifically noted in writing by ONICON, ALL COMPONENTS (Btu meter, flow meter and temperature sensors) share the same serial number and must be installed together as a system. Mixing components from different systems will result in significant errors in calibration.

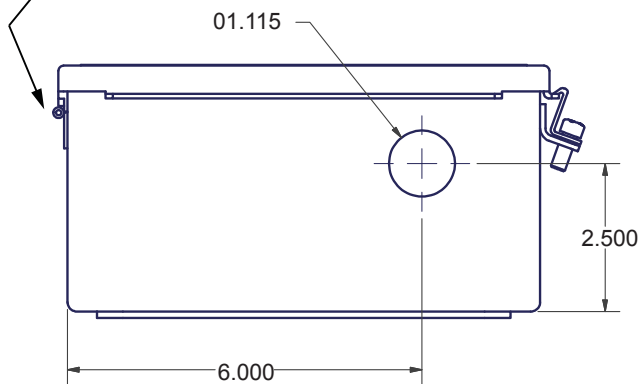
3.2.1 Main Unit Installation



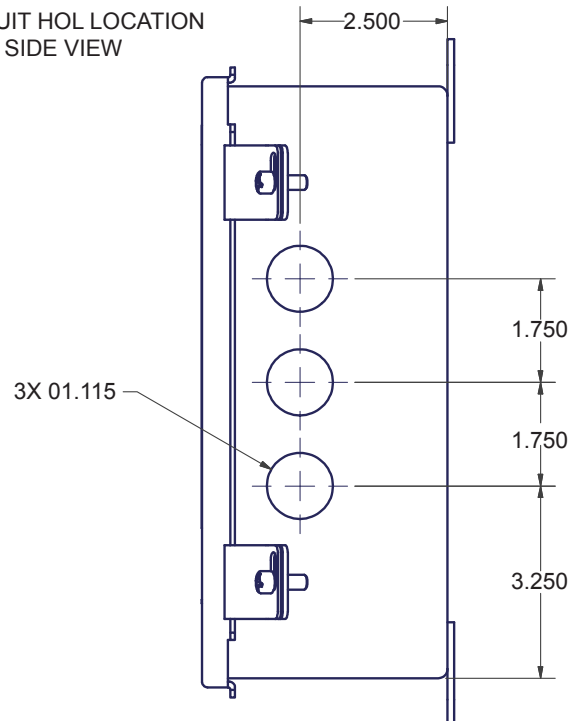
- Find an easily accessible location where electrical connections can be made and meter readings can be taken from the floor level.
- Mount the BTU meter on a vibration-free surface. Avoid sites such as the plenum of a fan coil, heat exchanger, or other housings containing motors. Do not install the meter in direct sunlight.

CONDUIT HOL LOCATION
BOTTOM VIEW

HINGE SIDE
SHOWN FOR REFERENCE.



CONDUIT HOL LOCATION
RIGHT SIDE VIEW



CAUTION

DO NOT drill holes in the main unit. Use only the openings that are provided.



3.2.2 Thermowell Installation

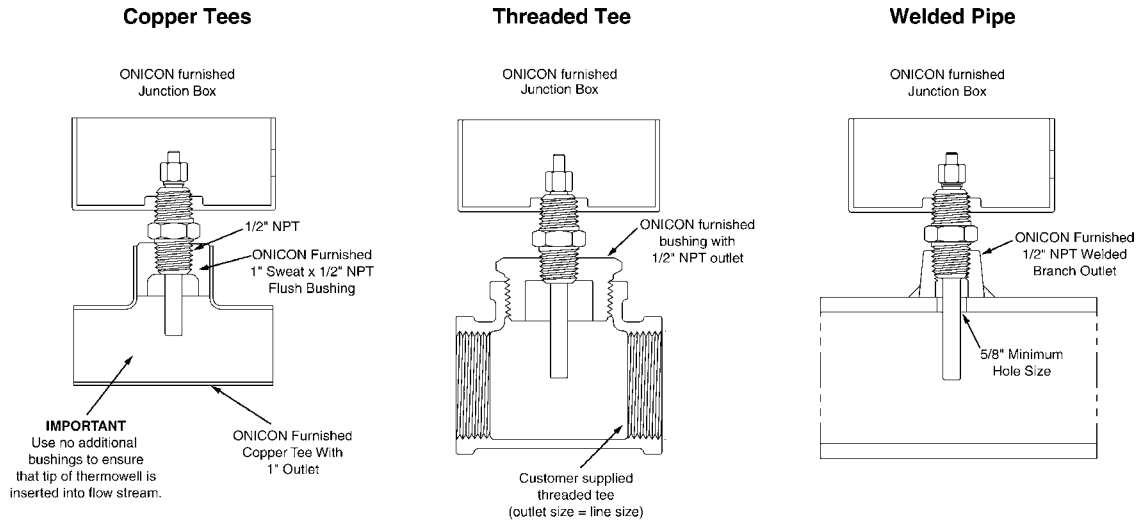


IMPORTANT NOTE

It is important that no dirt or other foreign material be allowed into the thermowells as this could affect the thermal response of the system.

3.2.2.1 Standard Thermowells

Standard thermowells are for new construction or scheduled shutdown. The most common installation methods are shown below. Refer to Appendix-6 for thermal insulator installations and Appendix-7 for high temperature (>300° F) thermowell installations. Consult ONICON for special applications.



- NOTES:
1. Thermowell length varies with pipe size.
 2. Use no additional bushings to ensure that tip of thermowell is inserted into flow stream.

3.2.2.2 Hot Tap Thermowells

Hot tap thermowells are designed for retrofit applications where it is not practical to isolate and drain the pipe section prior to installation. The thermowell is installed through a 1" full port ball valve as shown in the drawing below. A wet tap drilling machine equipped with a 7/8" drill is required to perform this type of installation.

Install the valve assembly as shown in the drawing and then drill the 7/8" hole using the wet tap drilling machine. Once the valve assembly has been installed and the hole has been drilled, the thermowell can be inserted into the flow stream without a system shutdown.



WARNING

SYSTEM MAY BE UNDER HIGH PRESSURE. Be sure to hold the conduit box firmly by hand before slowly loosening the position clamping nut when installing, adjusting or removing the thermowell. Failure to do this will allow the pressure to suddenly and rapidly force the thermowell from the pipe, potentially causing serious injury. The thermowell could also be damaged or break apart causing a break in the water seal with the resultant loss of large amounts of water.

Insertion of the Hot Tap Thermowell

- 1) Calculate the insertion force (lbs) required by multiplying the system pressure (psig) by 0.11. The person inserting the thermowell should ensure adequate footing for the force required prior to opening the valve.
- 2) Thread the hot tap adapter into the valve. Firmly grasp the wiring enclosure, loosen the position clamping nut, open the valve, and carefully push the thermowell into the flow stream. Use the attached gauge to set the insertion depth.



CAUTION

Excessive vibration can damage the thermowell. Insert the thermowell to the proper depth using gauge supplied as shown. Reduce the insertion depth as necessary if strong vibrations are felt during insertion, making certain that the tip of the thermowell remains fully in the flow stream.

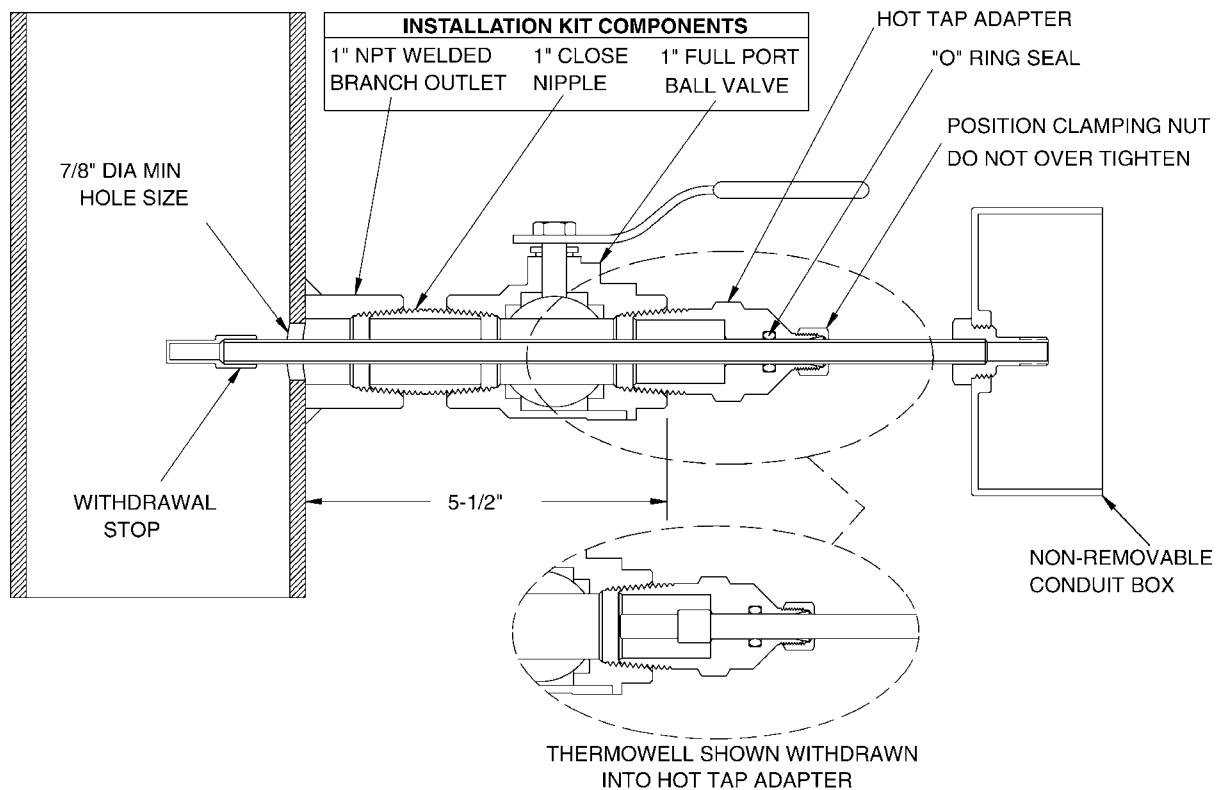
- 3) Carefully tighten the position clamping nut that is located at the top of the 1" NPT hot tap adapter fitting. Do not release the wiring enclosure until the position clamping nut has been tightened.



CAUTION

DO NOT OVER TIGHTEN THE POSITION CLAMPING NUT. If fluid leaks, do not attempt to correct by tightening this nut further. An internal o-ring seals the fluid. Contact ONICON for assistance in the event of a leak.

HOT TAP INSTALLATION DETAIL FOR THERMOWELL IN WELDED PIPE



Removal of the Hot Tap Thermowell



WARNING

Maintain a firm hold on the wiring enclosure until the thermowell is completely withdrawn and the valve is closed.

- 1) System pressure will try to push the thermowell out of the flow stream when the clamping nut is released. Be sure to establish safe footing prior to loosening the clamping nut. The force pushing out against the thermowell is the same as the insertion force calculated above.
- 2) Grasp the wiring enclosure firmly, holding the thermowell in the pipe and then loosen the position clamping nut. Slowly withdraw the thermowell from the pipe. After the thermowell is completely withdrawn, carefully close the isolation valve.



IMPORTANT NOTE

Rotating the thermowell as you slowly withdraw it through the valve will ensure that the lower tip is fully withdrawn and completely free of the valve. If resistance is felt when closing the valve, open valve fully and rotate the well as you pull it further out of the pipe.

3.2.3 Temperature Sensor Installation

The temperature sensors are factory matched and tagged by serial number to a specific BTU meter. They are also labeled as SUPPLY and RETURN temperature sensors. Please consult ONICON before attempting to use any other temperature sensor.

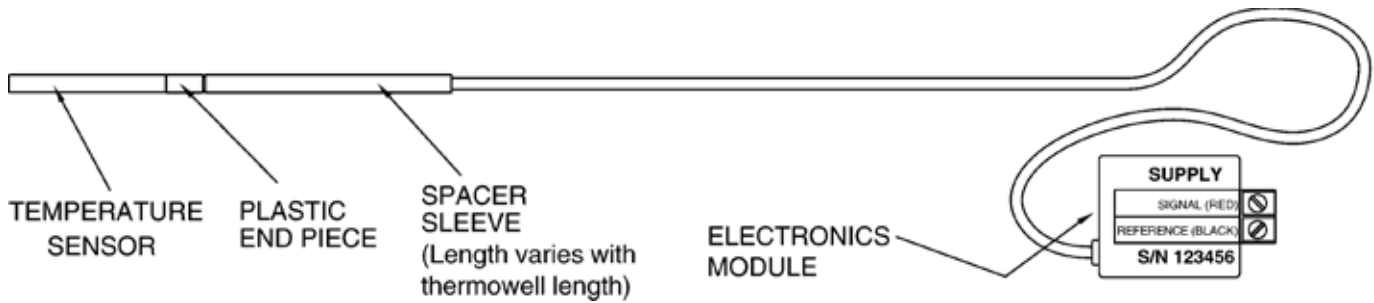
Apply a thin coat of thermal compound to the temperature sensor, and gently insert the temperature sensor all the way into the thermowell until it contacts the bottom of the cavity. Gently tighten the retainer nut. **DO NOT OVER TIGHTEN.** The thermowell completely seals the plumbing system without the retainer nut. The only purpose for the nut is to keep the sensor from losing contact with the bottom of the thermowell cavity.



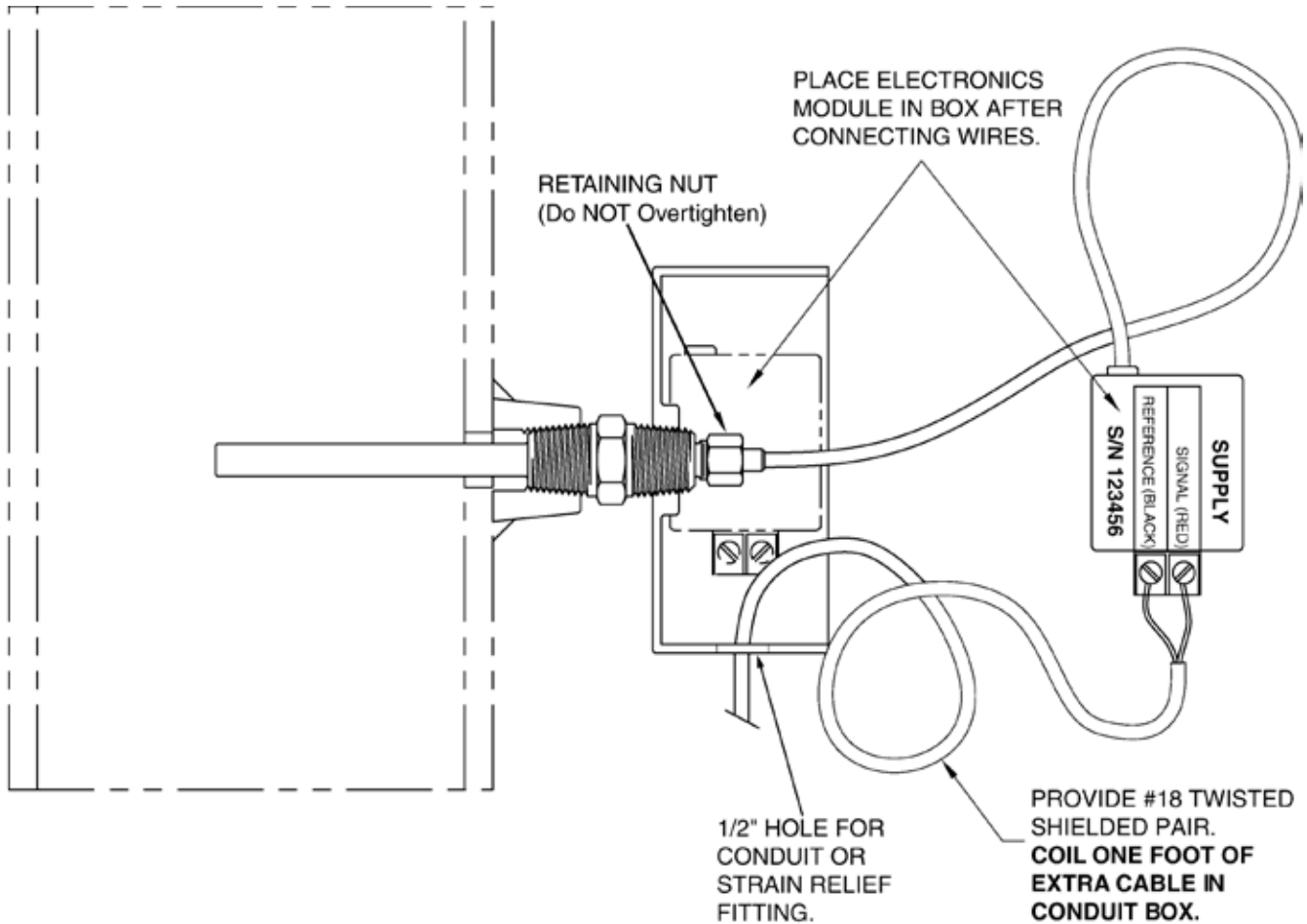
IMPORTANT NOTE

Cable length is specified at time of order. Cable provided for temperature sensors is #22 gauge twisted shielded pair. Additional cable may be added in the field if necessary, but must be of twisted shielded pair construction. (#22 gauge minimum and #18 gauge maximum)

ONICON TEMPERATURE SENSOR



TEMPERATURE SENSOR INSTALLED IN THERMOWELL



3.2.4 Flow Meter Installation

Determine which pipe (supply or return) has the longer unobstructed straight run. Install the flow meter in the longest straight pipe run available. One temperature sensor can be installed five diameters downstream of the flow meter leaving enough clearance to remove either sensor from the pipe without interference from the other sensor.

Also refer to the installation manual and/or other documentation that is provided with your ONICON flow meter.

For F-1300 series inline turbine flow meters, refer to the documentation that is provided with the flow meter.

3.3 ELECTRICAL INSTALLATION

3.3.1 Input Power

All user supplied conduit fittings, junction boxes, etc. are to be installed at this time as required by legal codes. Note that input power can be 24 VAC, 120 VAC or 230 VAC. (Not user selectable)



WARNING

Conduit openings in the System-10 enclosure must be closed with UL listed fittings applicable to NEMA 13 enclosures.

OPERATING FROM 120 or 230 VAC MAINS POWER



IMPORTANT NOTE

This option is not field selectable. Contact ONICON if you need to change the input voltage rating.

Utilize an electrically clean power line, free of electrical noise and protected from high voltage spikes, power surges, and brownouts. The power source should be a separate line with its own circuit breaker or circuit protection device. Refer to Section 1.3 of this manual for the appropriate over current device ratings. Use a three-wire service in which one wire is a protective earth ground.



WARNING

The protective earth connection must be made as shown. Failure to do so will result in an increased risk of injury.



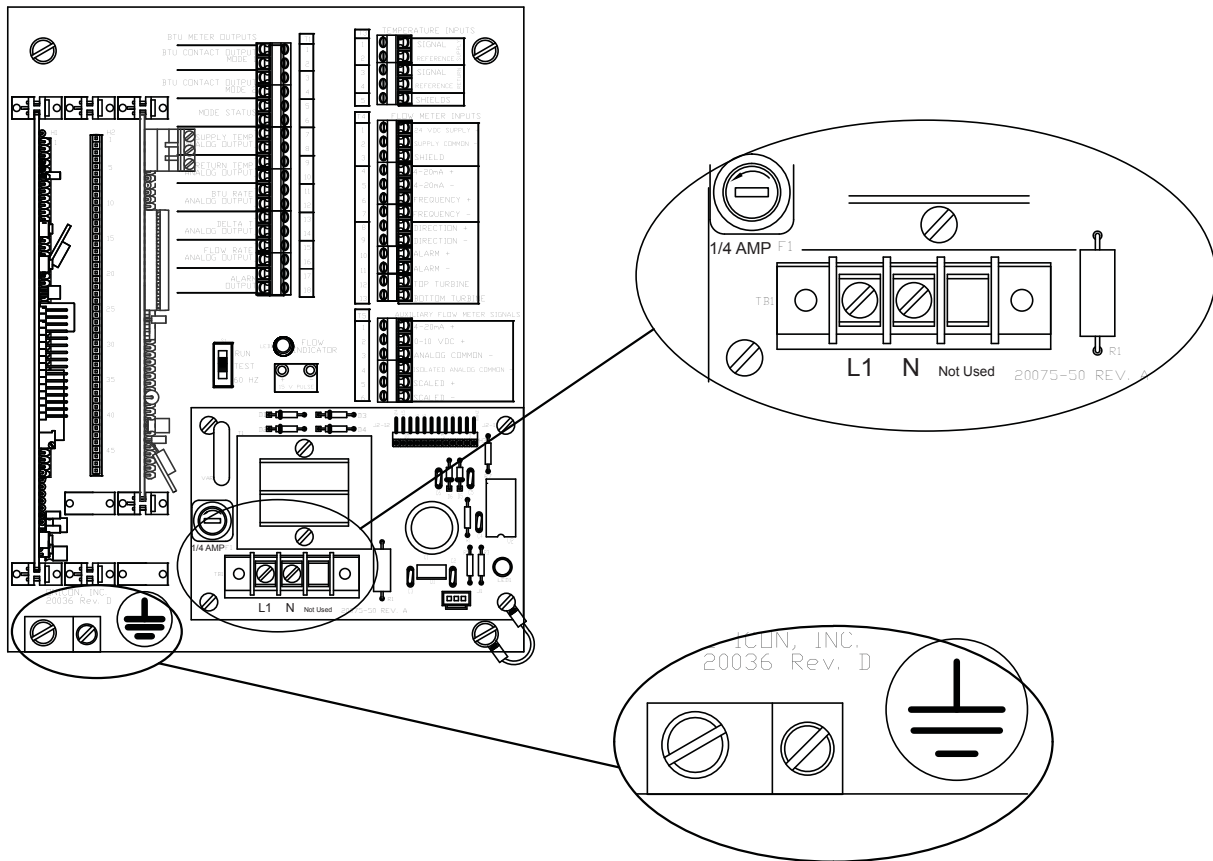
WARNING

All mains voltage connections must be made through pre-drilled conduit/strain relief opening located at the bottom of the enclosure. Failure to do so will result in an increased risk of injury.



CAUTION

This product must be connected to earth ground for proper operation. Failure to do so may result in erratic operation.



WARNING

Disconnect mains power before proceeding.

Connect the power source to the main unit through the conduit opening located on the bottom of the main unit. Fasten the power wires to the appropriate screw terminals as shown. Do not exceed 13 in-lb (1.5 Nm) of torque when tightening.

WARNING

Connect the protective earth wire to the lug located in the lower left hand corner of the motherboard.

As power is initially applied to the System-10, immediately confirm that the power light is illuminated and the display is scrolling through the character diagnostic test. The test will begin by indicating the letter P in every position followed by a countdown from 9 to 0 for each digit. If this does not occur, disconnect power immediately and re-verify all wiring connections. If the problem persists, contact ONICON.

OPERATING FROM 24 VAC POWER

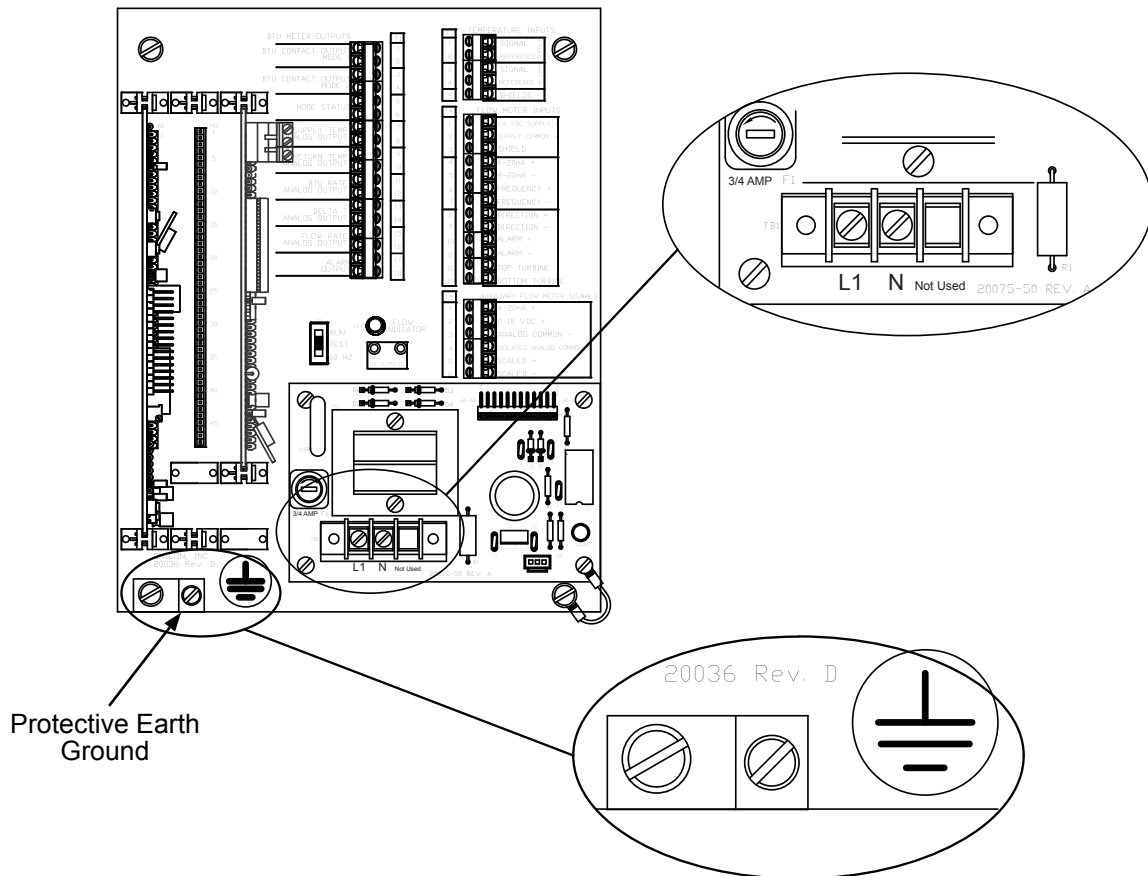


IMPORTANT NOTE

This option is not field selectable. Contact ONICON if you need to change the input voltage rating.

The SYSTEM-10 BTU Meter can be configured to operate from 24 \pm 4 V 50/60 Hz power. Connect the 24 volt power source to the System-10 using the pre-drilled conduit or strain relief opening located at the bottom of the enclosure. Do not connect the 24 volt source until all signal connections have been made and verified. Connect 24 VAC wires to the appropriate screw terminals as shown. Connect the protective earth wire as shown. Do not exceed 13 in-lb (1.5 Nm) of torque when tightening.

As power is initially applied to the System-10, immediately confirm that the power light is illuminated and the display is scrolling through the character diagnostic test. The test will begin by indicating the letter P in every position followed by a countdown from 9 to 0 for each digit. If this does not occur, disconnect power immediately and re-verify all wiring connections. Contact ONICON if the problem persists.



CAUTION

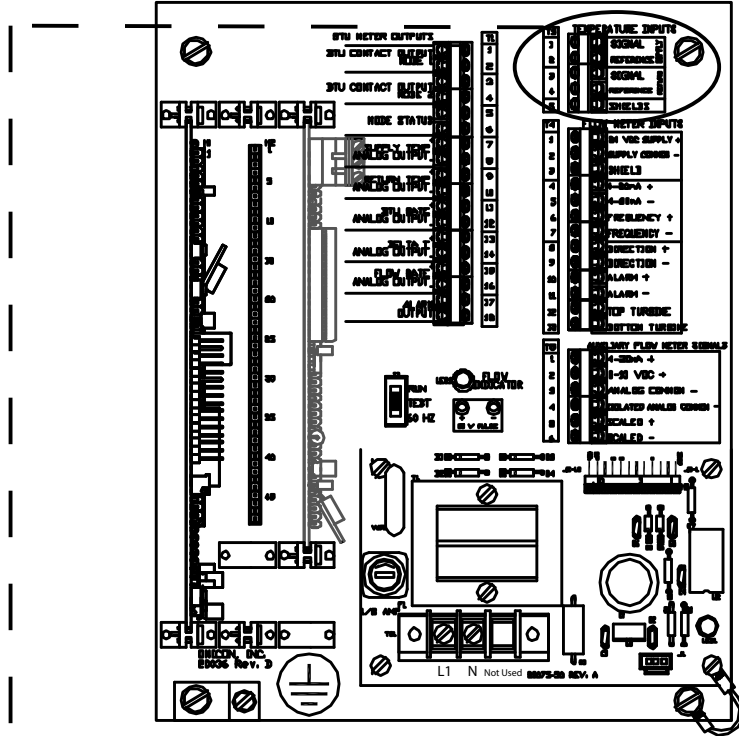
This product must be connected to earth ground for proper operation. Failure to do so may result in erratic operation.



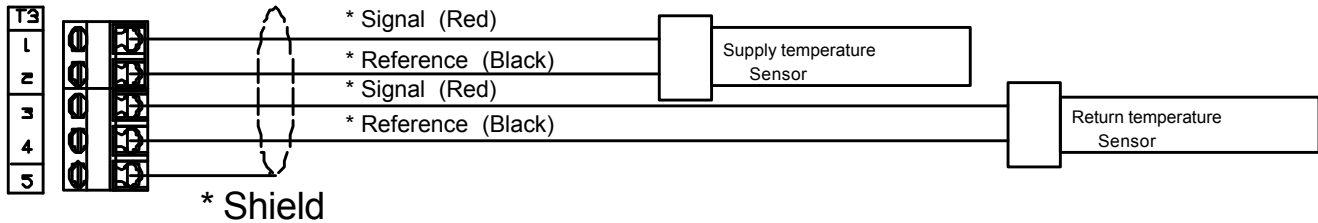
3.3.2 Input Signal Connections

Make connections on the mother board, located in the main unit, at terminal strips T3, T4 and T5. Do not exceed 4.5 in-lb (0.5 Nm) of torque when tightening.

3.3.2.1 Input Signal Connections from Temperature Sensors



Temperature Inputs



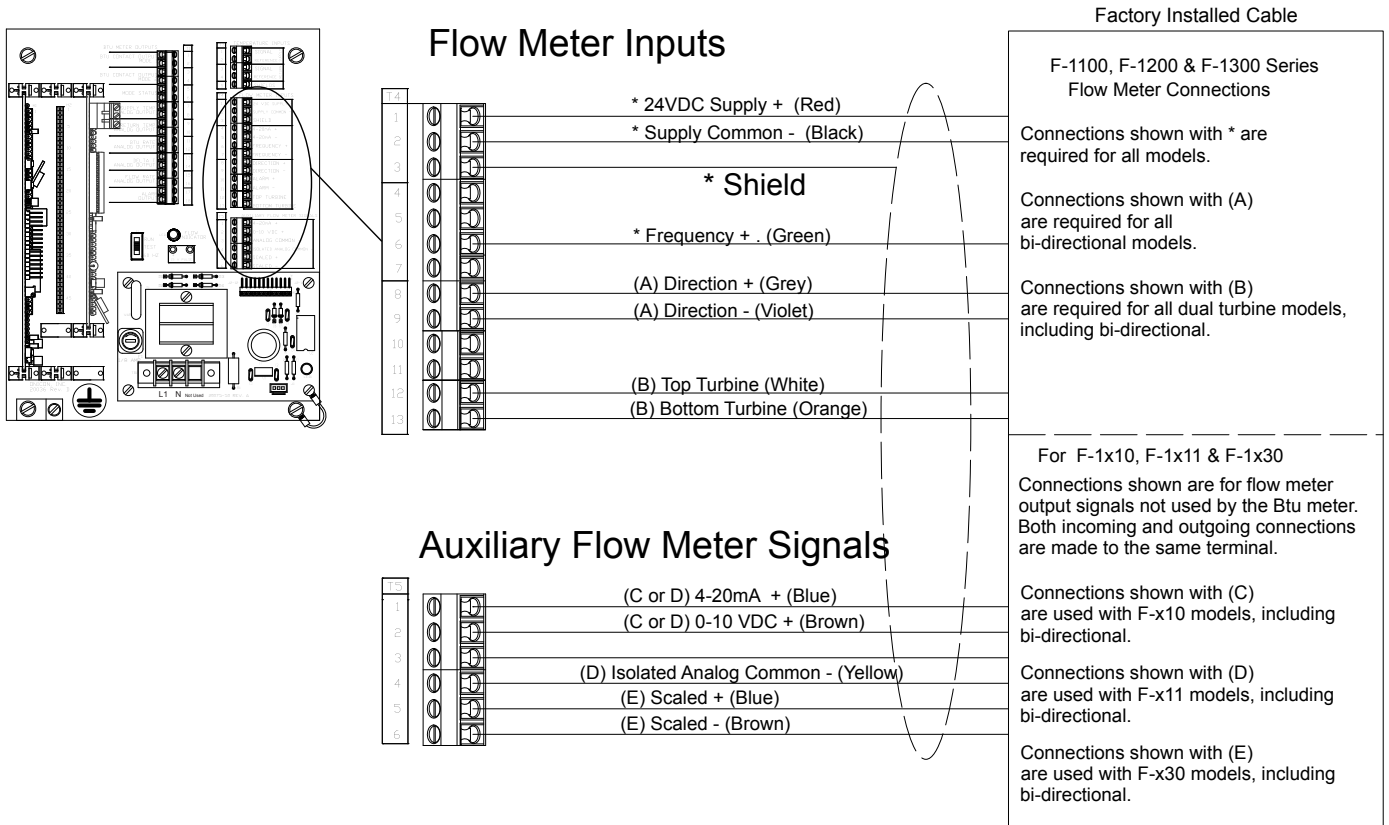
CAUTION



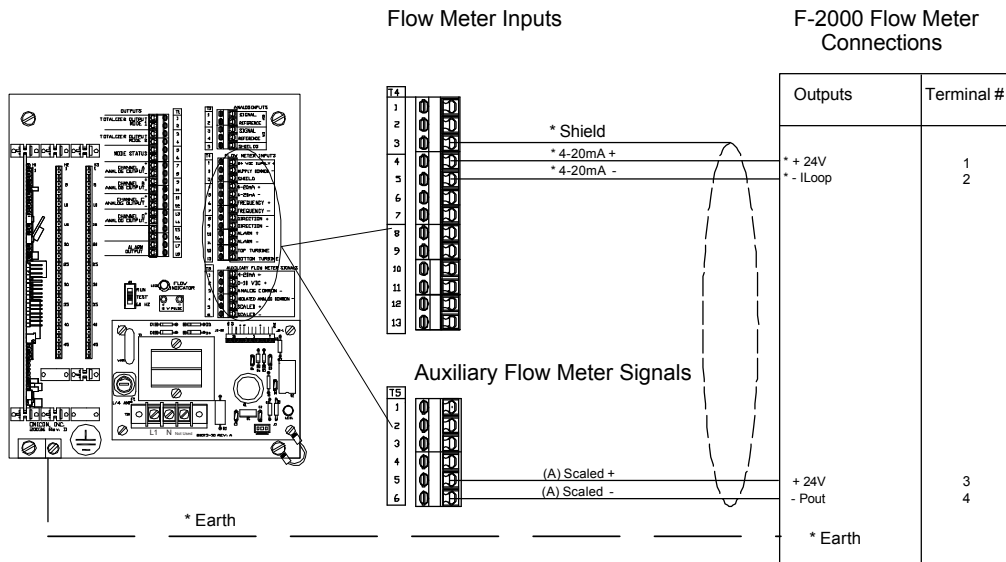
Shield connections are required for proper operation. Failure to use shielded cable may result in erratic operation.

3.3.2.2 Input Signal Connections From Insertion Turbine Flow Meters

ONICON turbine flow meters are provided with a number of different output configurations. These affect the number of wires contained in the cable attached to the flow meter. Refer to the diagram below and the laminated tag attached to the flow meter for specific details.

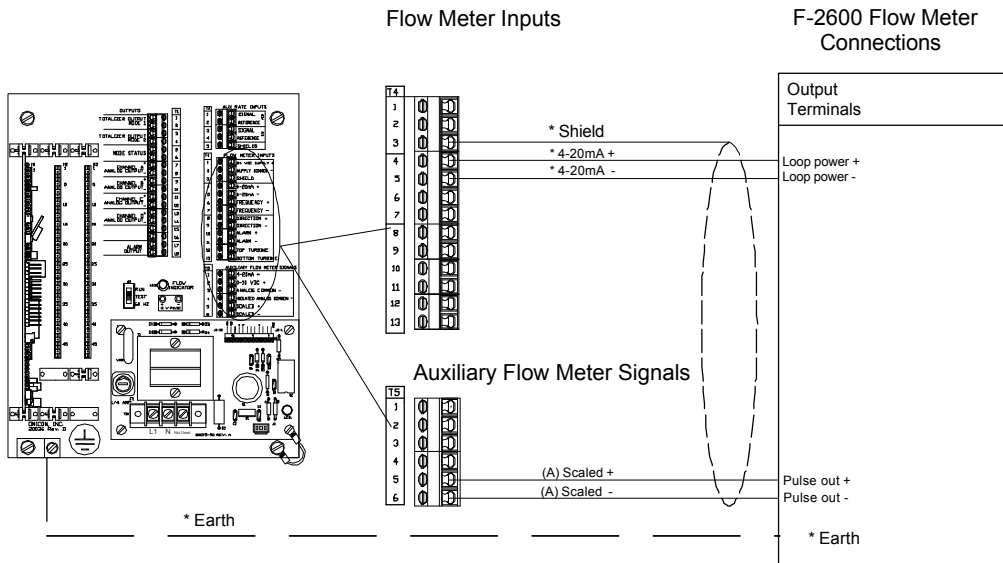


3.3.2.3 Input Signal Connections From F-2500 Flow Meters



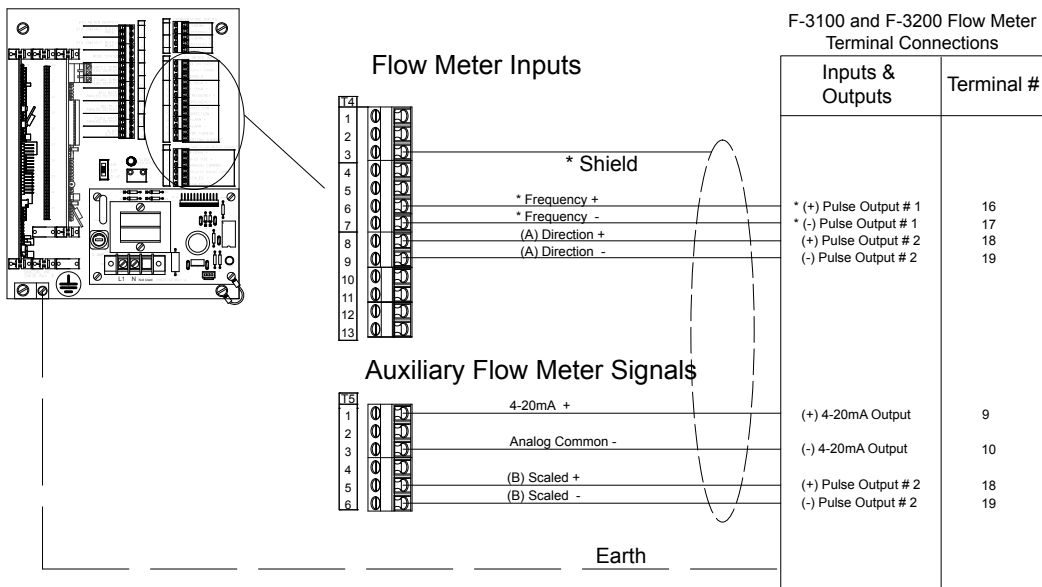
Connections shown with * are required for all installations. Connections shown with (A) are optional.

3.3.2.4 Input Signal Connections From F-2600 & F-2700 Flow Meters



Connections shown with * are required for all installations. Connections shown with (A) are optional.

3.3.2.5 Input Signal Connections From Inline Electromagnetic Flow Meters



NOTE: The System-10 does not provide power to the F-3100 or F-3200 flow meter. Input power for the flow meter must be provided separately. See flow meter manual for detailed wiring instructions.

Connections shown with * are required for all models. Connections shown with (A) are required for bi-directional flow installations. Connections shown with (B) are for unidirectional installations.



CAUTION

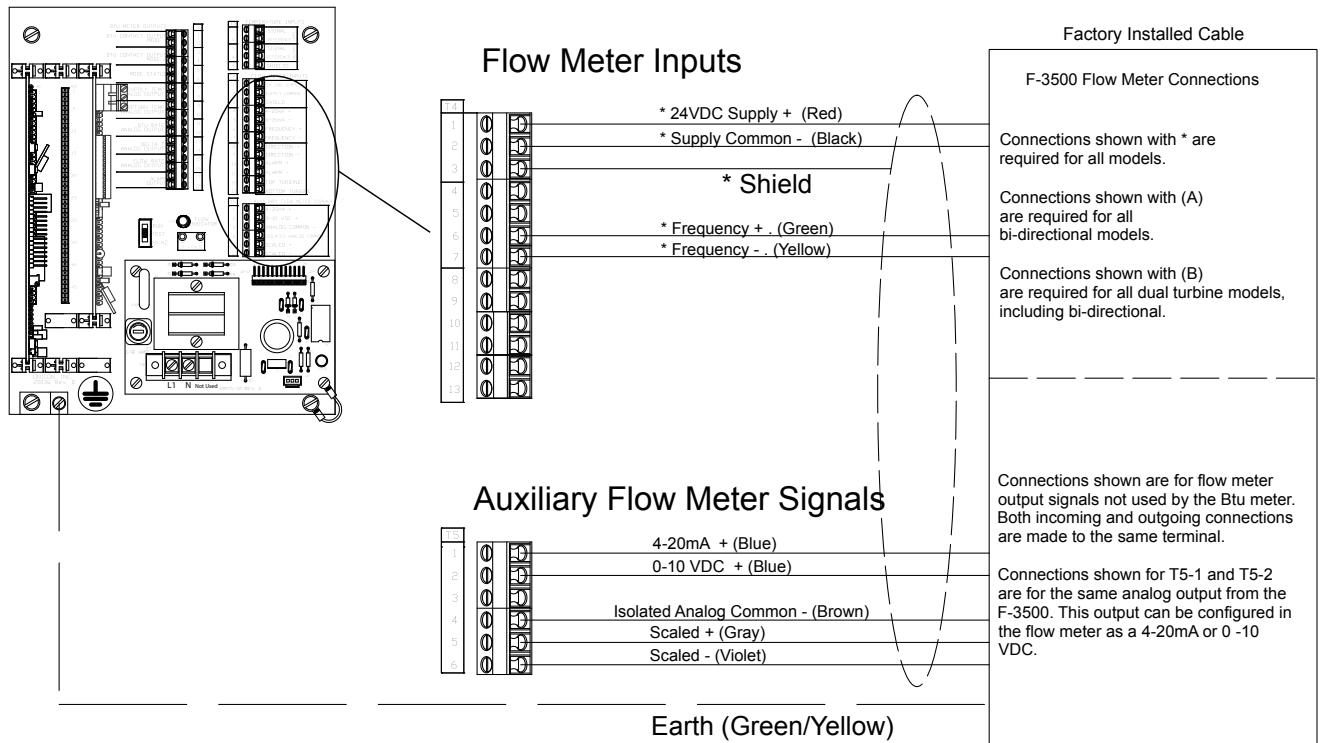
The System-10 internal 24 V power supply cannot provide power to the F-3100 or F-3200 flow meters.



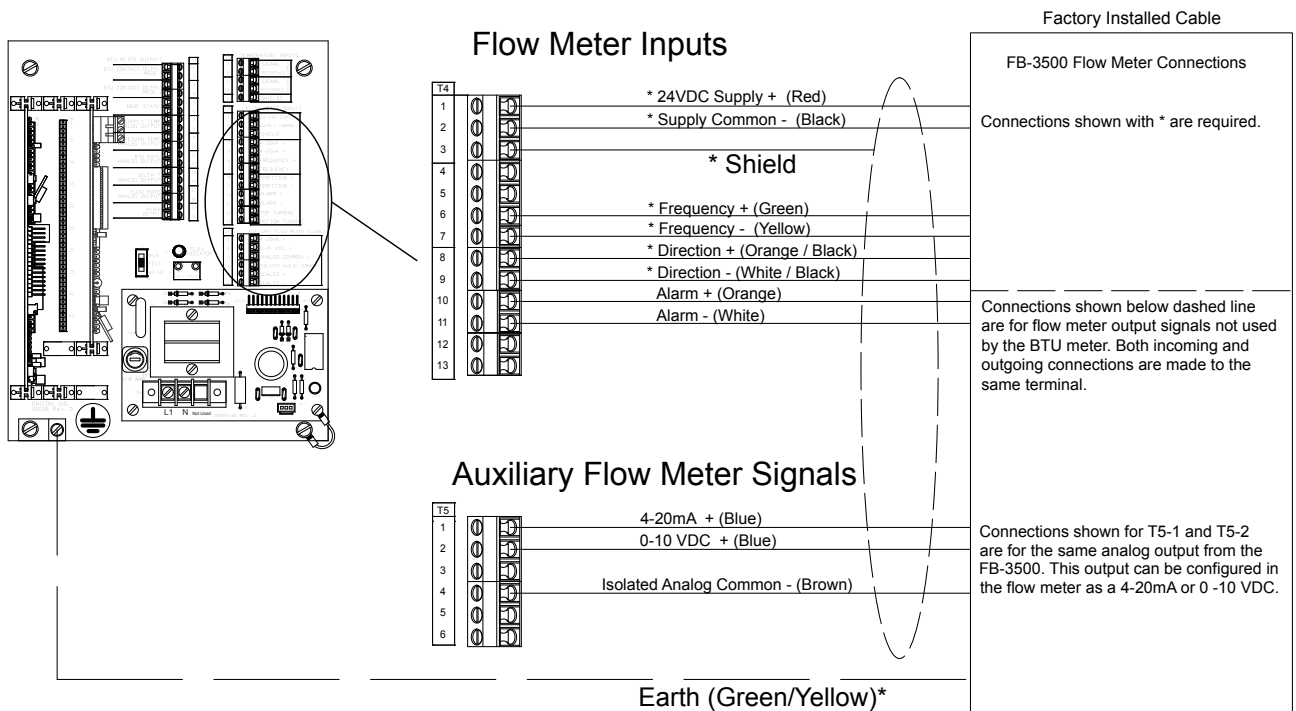
CAUTION

Shield and earth connections are required for proper operation. Failure to use shielded cable or to connect earth to both the flow meter and System-10 may result in erratic operation. Shields should be terminated at the System-10 shield terminals and left unterminated at the flow meter.

3.3.2.6 Input Signal Connections from F-3500 Flow Meter



3.3.2.7 Input Signal Connections from FB-3500 Flow Meter



CAUTION

See FB-3500 installation and operation guide for additional information on properly grounding the meter.

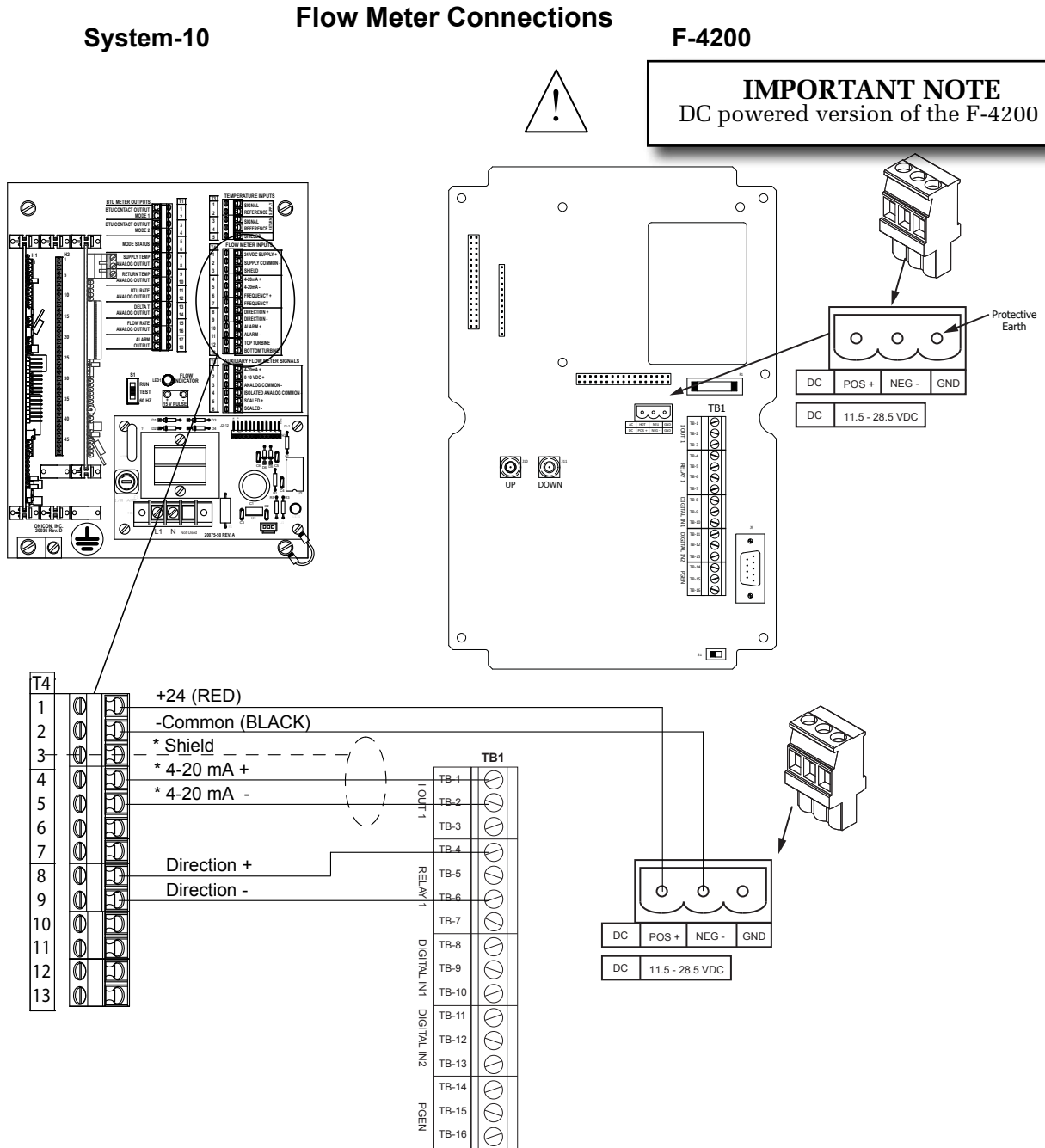
3.3.2.8

Input Signal Connections from F-4200 Flow Meter



WARNING

Turn off mains power at the source prior to making power connections to the F-4000. Contact with exposed live wiring may result in electric shock, burns and/or serious injury.



CAUTION

Shield and earth connections are required for proper operation. Failure to use shielded cable or to connect earth to both the flow meter and System-10 may result in erratic operation. Shields should be terminated at the System-10 shield terminals and left unterminated at the flow meter.

3.3.3 Contact Closure Output For Energy Total(s) And Mode Status

For single mode applications (heating or cooling), the output relay for energy total is located on the mother board at T1, pins 1 and 2. The value of each “closure” is listed on the certificate of calibration and is the same as the energy total multiplier displayed on the LCD (example: each closure = 10,000 BTU’s).

For dual mode applications (two-pipe heat/cool), the energy total for the heating mode (where supply temp is greater than return temp) is provided at T1, pins 1 and 2. The energy total in the cooling mode is provided at T1, pins 3 and 4. Mode status is at T1, pins 5 and 6 (open contact = mode 1 operation).

For bi-directional applications, the table below describes the relationship between mode 1 and mode 2 totals and forward and reverse flow for ONICON isertion turbine and inline electromagnetic flow meters.

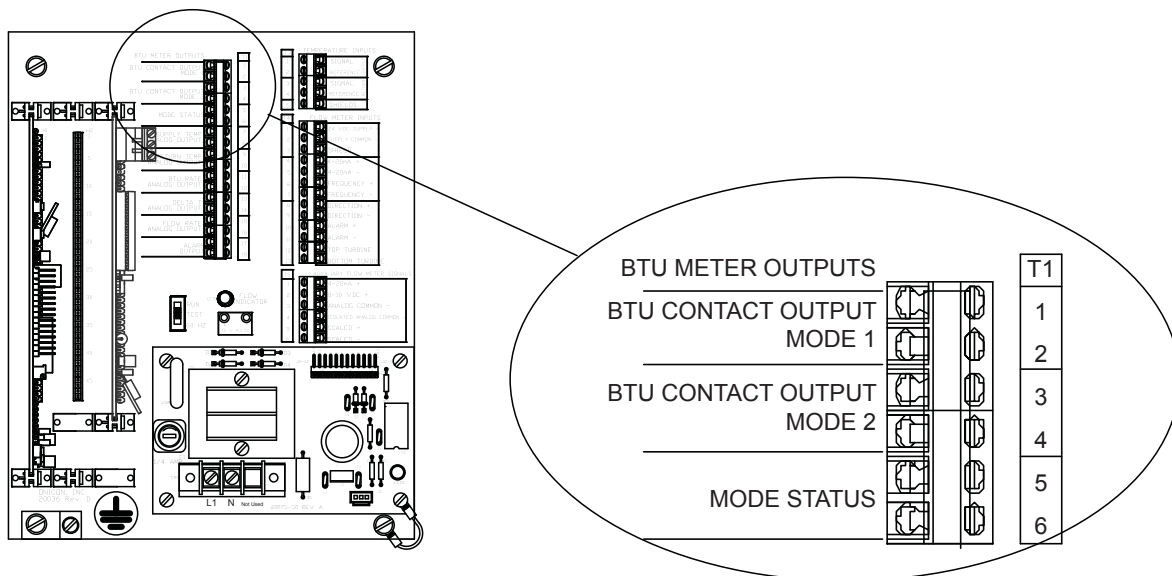
Do not exceed 4.5 in-lb (0.5 Nm) of torque when tightening the terminals.

FLOW METER MODEL	FLOW DIRECTION RELATIVE TO DIRECTION ARROW ON METER	FLOW METER OUTPUT CONDITION	SYSTEM-10 MODE STATUS INDICATOR (T1 - PINS 5 & 6)	SYSTEM-10 REGISTER ACCUMULATING TOTALS
FB-1200 Series	Flow in the direction of arrow	Closed contact	Open contact	Mode 1
FB-1200 Series	Flow reverse from direction arrow	Open contact	Closed contact	Mode 2
F-3000 Series	Flow toward (+) sign	Not energized (open)	Closed contact	Mode 2
F-3000 Series	Flow toward (-) sign	Energized (closed)	Open contact	Mode 1



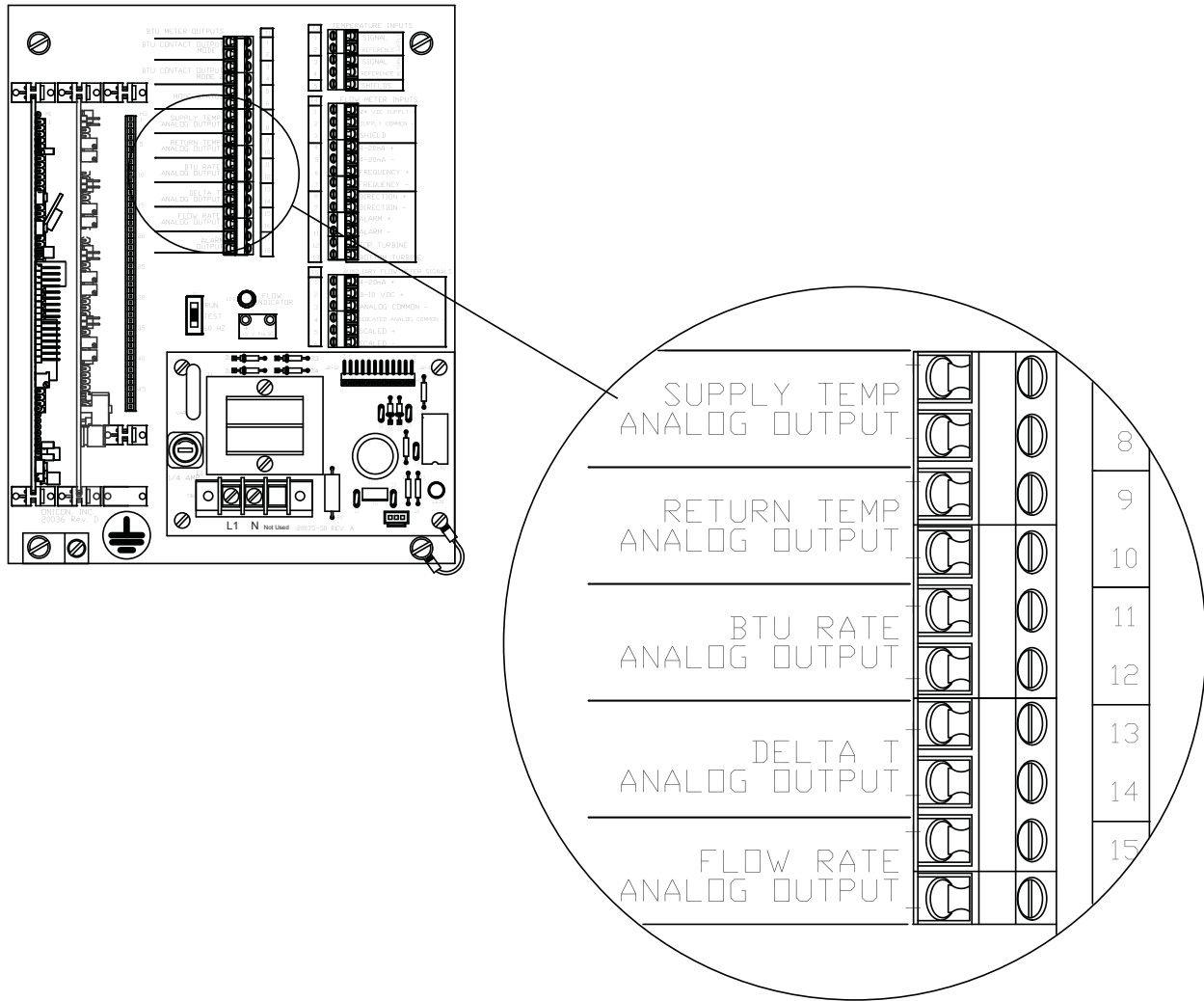
IMPORTANT NOTE

This output is generally not utilized on BTU meters that are connected to the FLN, P1 network.



3.3.4 Isolated Analog Output(s) (Optional):

The System-10 can be configured to provide up to four isolated analog outputs of the following five parameters: supply temperature, return temperature, flow rate, BTU rate and delta temperature. The output type, 4-20 mA, 0-10 VDC or 5 VDC is field configurable. The selected outputs and associated scaling are configured at the factory. See the calibration sheet or label, located on the inside cover, for analog output configuration information.



Please Note: If System-10 is ordered with a flow meter capable of producing an analog output, flow rate analog output will be available at Terminal T4 from flow meter.

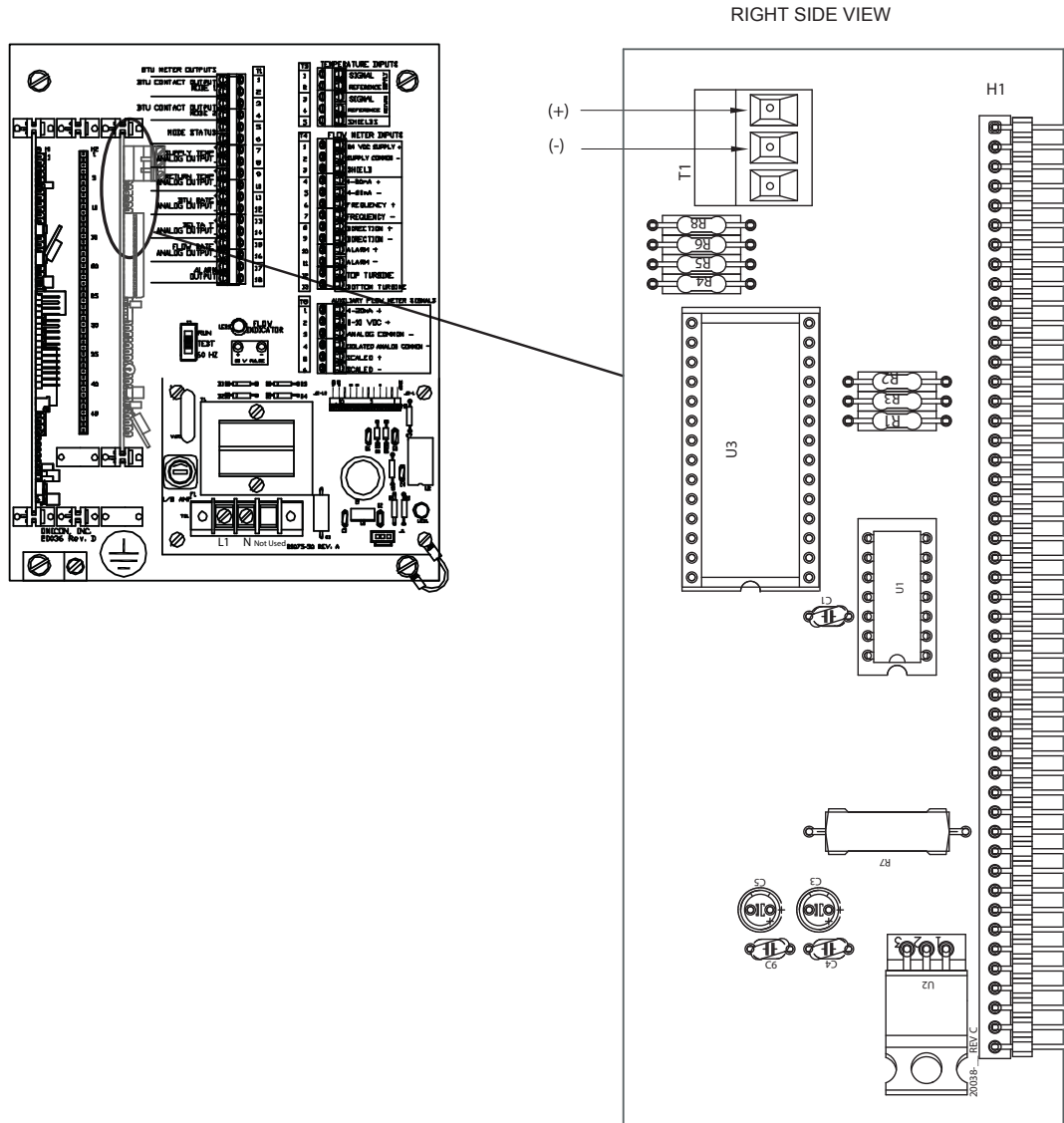
3.3.5 Network Signal Connections

P1 serial output connections are connected to terminal T1 with the supplied plug as shown. Do not exceed 4.4 in-lb (0.5 Nm) of torque when tightening.



CAUTION

Only qualified service personnel should make connections between the System 10-P1 BTU Meter and the user's external equipment. ONICON assumes no responsibility for damage caused to the external equipment as a result of an improper installation.



CAUTION

Incoming and outgoing RS485 cable shield wires should be connected together, but must not be connected to the System-10.

3.3.6 Optional Isolated Digital Pulse Input (Di3)

The System-10-P1 BTU Meter can be provided with an optional auxiliary input pulse counter. This option allows the System-10-P1 BTU Meter to receive a pulse input from an external device, such as a power meter or gas meter for example, and totalize these pulses on an internal register and communicate this value via the P1 communications network. This register can be zeroed on demand via the network. The P1 communications board with the auxiliary input feature must be specified at time of order to receive this feature.

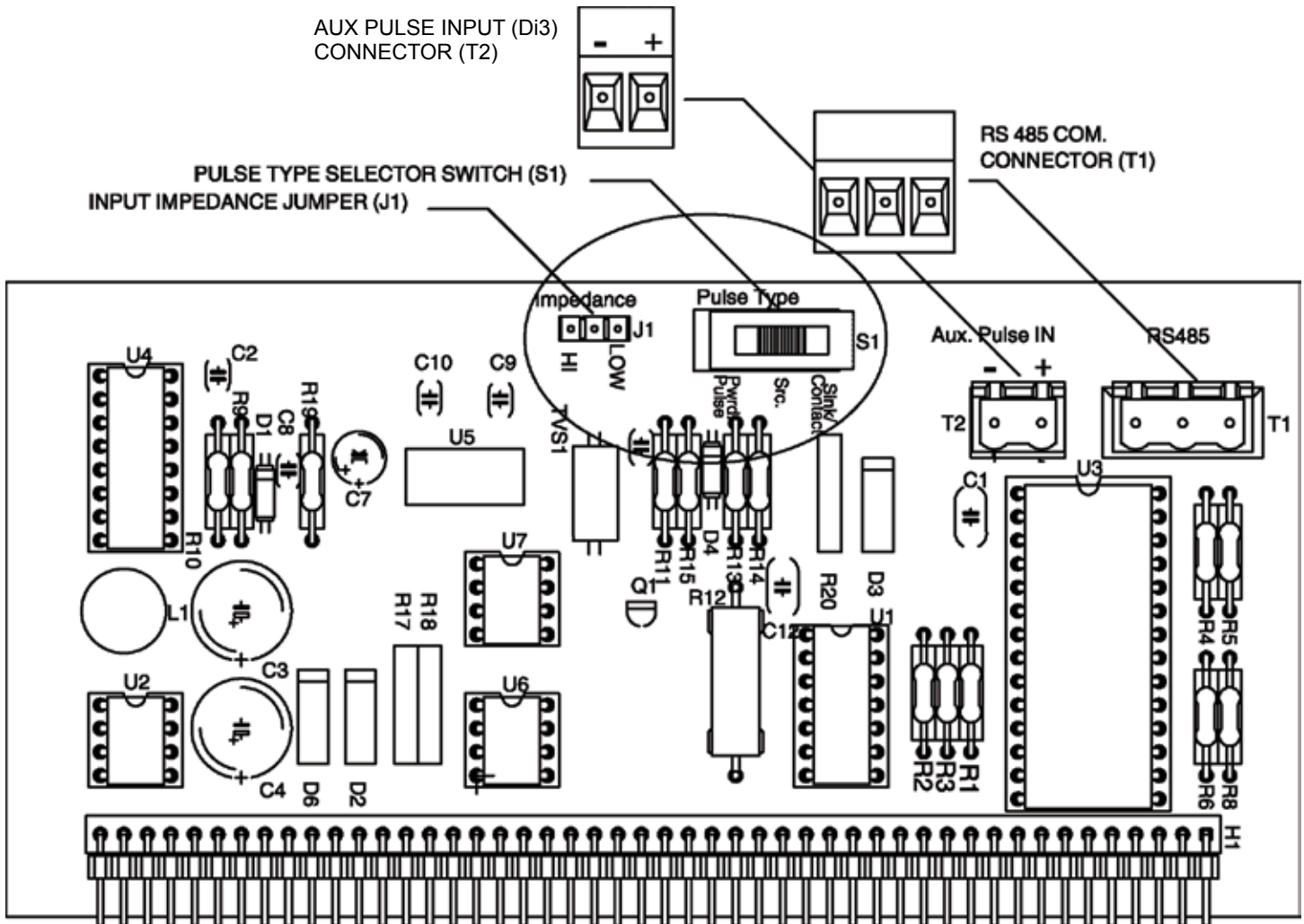
The input pulse must meet the following criteria:

1. Frequency Input Range, 50 Hz maximum
2. 10 milli-second minimum pulse duration

Input Pulse Definition:

In order to configure the communications card for an auxiliary input pulse, you must first determine which type of pulse your meter produces. The allowable types of input pulses are described below. Based on the type of pulse, set the selector switch (S1) on the communications Circuit Board (Fig. 1) to the correct setting.

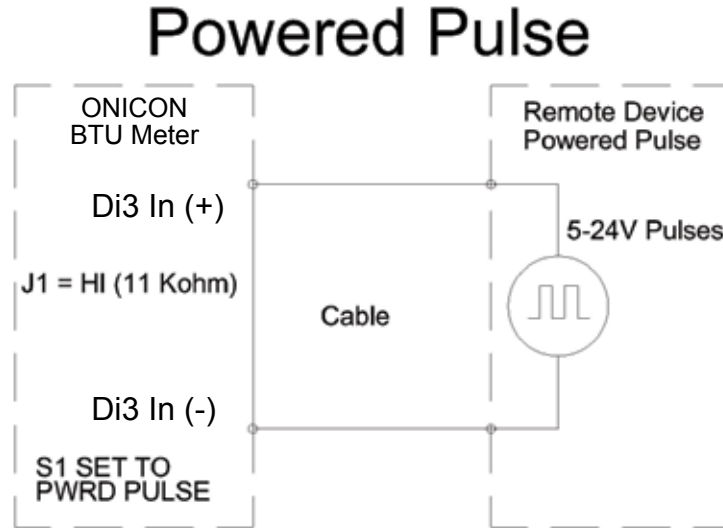
Fig. 1



Powered Pulse:

This type of output refers to a pulse which has an associated voltage with it (see Fig. 2). Set the selector switch, S1 to PwrD Pulse. The allowable voltage range is 5-24 VDC. The input impedance is set at the factory to be 11 KOHM via the impedance selector jumper (J1, see Fig. 1). A lower impedance, 3 KOHM can be selected if required by the instrument providing the pulse output. Consult the instrument manufacturer or the ONICON Technical Department if you are uncertain as to the proper jumper selection.

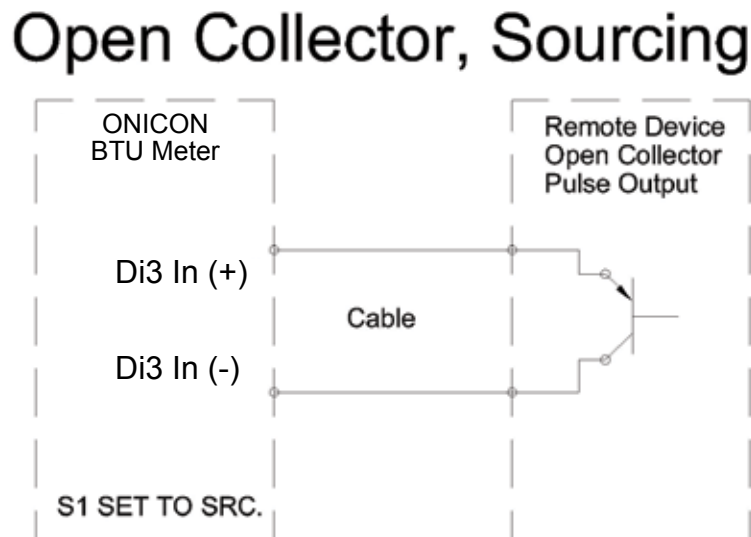
Fig. 2



Open Collector (Sourcing):

This type of output refers to an open Collector Switch configured for a Sourcing function (see Fig. 3). Set the selector switch, S1 to SRC. The switch must be rated for at least 20mA at 20VDC.

Fig. 3



Open Collector Sinking or Dry Contact:

This type of output refers to an open collector switch configured in a current sinking arrangement or a dry contact switch (see Fig. 4 and 5). Set the selector switch, S1 to Sink. In either case, the switch must be rated for at least 20mA at 20 VDC.

Fig. 4

Open Collector, Sinking

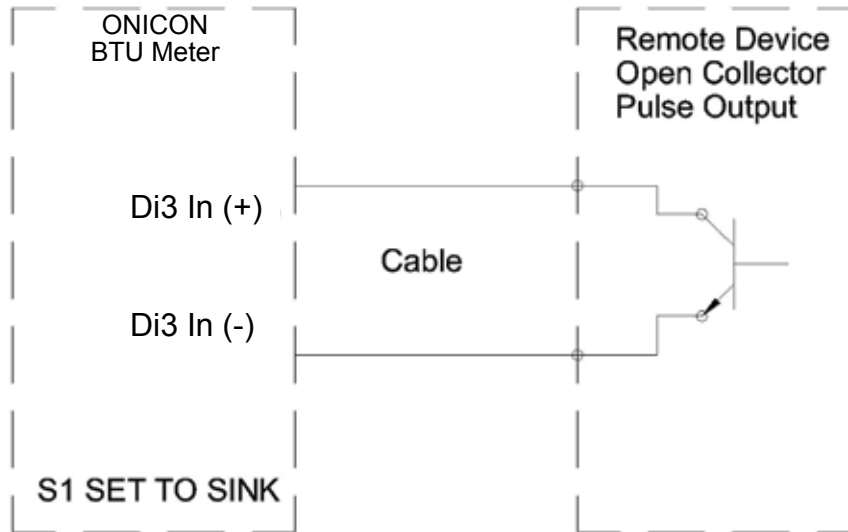
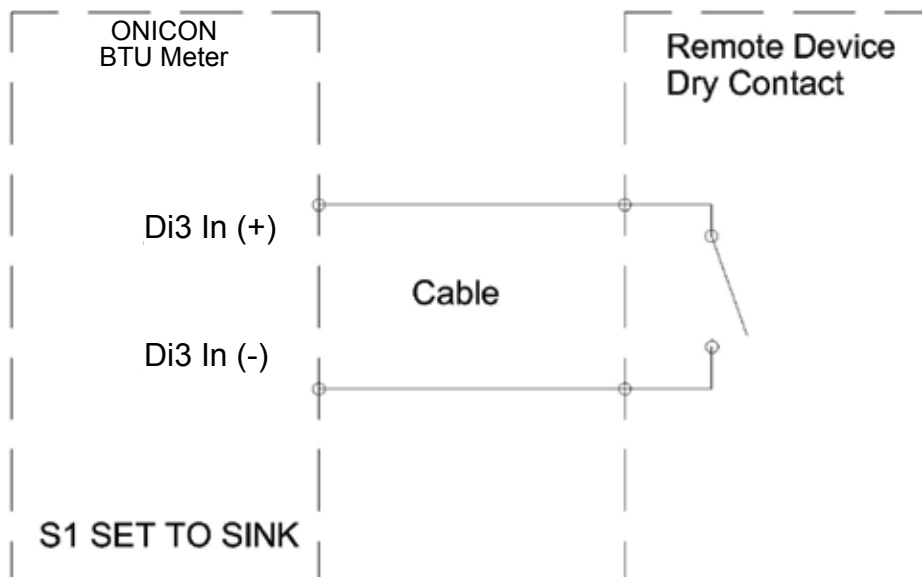


Fig. 5

Contact Closure



SECTION 4.0: SYSTEM-10 START-UP AND COMMISSIONING

4.1 DISPLAY AND KEYPAD

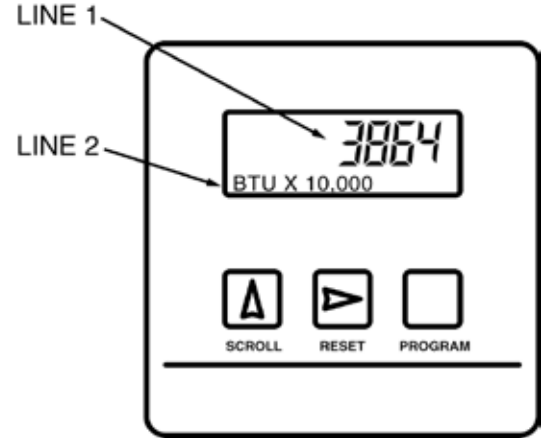
The display contains two lines of alphanumeric characters. The first line displays the numerical value of the quantity described by the second line of the display. The second line contains the units and a multiplier, which can range from 1 to 1,000,000. The multiplier is the value the number on the top line must be multiplied by to achieve the correct value.

Three membrane keys are provided to operate the display and program the meter.

When operating in the Run mode, the Scroll button advances the display from one page to the next. A total of up to eight different pages may be available for display depending whether the meter is operating in the single mode or dual mode.

The Reset button (if enabled) allows totals to be reset to zero.

The Program button is not functional in the Run Mode.



4.2 PROCESSOR START-UP

When power is applied to the BTU meter alphanumeric characters appear on the two lines of the display indicating the meter is operating. Press and release the SCROLL button on the front panel. Observe the display cycle to the next display page.

Select the SUPPLY TEMP Page. Note the displayed temperature. Confirm that it is in the expected range. Now select the RETURN TEMP page. Again note the displayed temperature. Confirm that it is also in the correct range.

Select the FLOW RATE page. Note the displayed flow rate. Confirm that the flow rate value is in the correct range.

Successively pressing the SCROLL button will cycle the display through the run mode pages summarized in the tables on the next page.

To finalize the installation, follow the procedure outlined in section 4.5 to identify and designate the flow meter location.

SINGLE MODE OPERATION

PAGE NUMBER	DISPLAY NAME	SELECTABLE UNITS
1	ENERGY TOTAL	BTU, TONHR or KWHR
2	VOLUME TOTAL	GAL, LITER, METERS ³
3	ENERGY RATE	BTU / HR, TONS, KW
4	VOLUME RATE	GPM, GPH, MGD, L/SEC, L/MIN, L/HR, METERS ³ /HR
5	SUPPLY TEMPERATURE	DEG F, DEG C
6	RETURN TEMPERATURE	DEG F, DEG C
7	DIGITAL INPUT Di3	NONE

DUAL MODE BTU METERS

PAGE NUMBER	DISPLAY NAME	SELECTABLE UNITS
1	MODE 1 ENERGY TOTAL	BTU, TONHR or KWHR
2	MODE 1 VOLUME TOTAL	GAL, LITER, METERS ³
3	MODE 2 ENERGY TOTAL	BTU or TONHR
4	MODE 2 VOLUME TOTAL	GAL, LITER, METERS ³
5	ENERGY RATE	BTU / HR, TONS or KW
6	VOLUME RATE	GPM, GPH, MGD, L/SEC, L/MIN, L/HR, METERS ³ /HR
7	SUPPLY TEMPERATURE	DEG F, DEG C
8	RETURN TEMPERATURE	DEG F, DEG C
9	DIGITAL INPUT Di3	NONE

The operating mode, measurement units and multipliers are programmed into the BTU meter at the factory. These settings may be re-programmed in the field. Please contact ONICON technical support personnel for assistance, if changes are required.

4.3 UNITS AND MULTIPLIERS

The units and multipliers are programmed prior to delivery. Contact ONICON for assistance in changing units or multipliers.

4.4 ANALOG OUTPUTS

The System-10 BTU Meter is capable of providing up to four analog outputs (optional). Analog outputs are programmed at the factory in terms of units and scaling. Changing any of the displayed units or multipliers will affect the analog outputs. If any unit or multiplier values are changed at the System-10 BTU Meter, the analog output value(s) will also be changed. If you are unsure of the ramifications of any changes you are contemplating, please contact ONICON for assistance.

4.5 ENTERING A NETWORK ADDRESS, SELECTING THE FLOW METER LOCATION & ENABLING / DISABLING FRONT PANEL RESET

Before the System-10 can communicate on the P1 network, the flow meter location should be programmed into the meter and the appropriate network address must set.

Identifying the flow meter location is particularly important for systems that will operate with delta temperatures ≥ 20 °F. The default setting for the flow meter location is unknown. It should be changed to the location setting that corresponds to the flow meter's physical location in the piping system. Choose supply when the flow meter is located in the pipe leading to the inlet to the heat exchanger and return when the flow meter is located in the pipe leaving the outlet of the heat exchanger. Leave the setting at unknown for bi-directional flow applications.

The application number is programmed into the meter at the factory prior to delivery, based on the application information supplied by the customer. This application number can be changed if necessary. Contact ONICON for additional instructions prior to attempting to change the application number.

The System-10-P1 BTU Meter accumulates energy and volume totals in nonvolatile memory. This memory can be zeroed directly at the meter or via the network. The direct method requires the operator to scroll through the display menu pages until the subject energy or volume total is displayed. The operator must then press the reset button on the front panel. The selected total will then reset to zero. The next total to be zeroed is selected and the process repeated. The front panel reset function, however, must be enabled for this to occur. It is disabled by default.

To select the flow meter location, enter a new device address or enable the front panel reset, follow the instructions in the table below.

STEP	ACTION	REACTION	COMMENT
0	Obtain a device address from the network administrator.		The device address is a three digit number between 001 - 099, excluding zero.
1	With the meter running, open the front panel and locate switch DEV ADD/PROG ENAB. Press DEV ADD/PROG ENAB and then release it.	None	The DEV ADD/PROG ENAB is located on the heat computer board. (See appendix page A-9.)
2	Close the front panel.		
3	Press the PROGRAM button. (If you do not press the PROGRAM button, the meter will revert to the RUN mode after 5 minutes.)	The System-10 changes to PROGRAM mode and the DEVICE ID page will appear with the first digit of the address flashing.	The PROGRAM button is on the front panel.
4	Successively press the SCROLL button to increment the number to the desired value from 0-9.	The number increments by one each time you press the button.	The SCROLL button is on the front panel.
5	Press the RESET button.	The second character blinks.	The RESET button is on the front panel.
6	Successively press the SCROLL button to increment the number to the desired value from 0-9.	The number increments by one each time you press the button.	The SCROLL button is on the front panel.
7	Press the RESET button.	The third character blinks.	The RESET button is on the front panel.
8	Successively press the SCROLL button to increment the number to the desired value from 0-9.	The number increments by one each time you press the button.	The SCROLL button is on the front panel.

STEP	ACTION	REACTION	COMMENT
9	Once the correct value has been entered, press PROGRAM.	The P1 APP No page will appear with the first digit of the address flashing.	Do not change the P1 app number without first consulting ONICON.
10	Press the PROGRAM button.	The FM LOCN page appears with UNKNWN defaulted as the current location.	The PROGRAM button is on the front panel.
11	Press the SCROLL button.	The setting will toggle between UNKNWN, SUPPLY, and RETURN.	Select the appropriate FM LOCN.
12	Press the PROGRAM button.	The FRONT PANEL RESET page appears.	Do not change this setting unless you wish to enable the front panel totalizer reset button.
13	Press the PROGRAM button.	The SAVE CHANGES page appears.	The new settings must be saved to take effect.
14	Press the SCROLL button.	The N changes to Y on the SAVE CHANGES page.	The Y must be selected in order for the new settings to take effect.
15	Press the PROGRAM button.	The new settings are saved and the display reverts to the RUN mode.	
16	Open the front panel and locate the RESET switch. Press to reset the System-10.	When polled, the System-10 will automatically begin to communicate with the network.	RESET is located along the top of the heat computer board. (See appendix page A-9.)

4.5.1 Application Number

The application number is assigned to the BTU meter based on the calibration parameters supplied at the time the BTU meter was calibrated. If the system parameters change, please contact ONICON for assistance in determining the correct application number.

TABLE OF STANDARD SYSTEM-10-P1 APPLICATION NUMBERS					
Application Number	Point 3 Displayed Energy Rate	Points 9, 10 Displayed Energy Total	Points 11, 12 Displayed Flow Total	Point 4 Displayed Flow Rate	Points 5, 6, 7 Displayed Temperature
1998	BTU/HR x 1,000	BTU x 1,000	GAL x 10	GPM x 1	DEG F
1997	BTU/HR x 1,000	BTU x 10,000	GAL x 10	GPM x 1	DEG F
1996	BTU/HR x 1,000	BTU x 10,000	GAL x 100	GPM x 1	DEG F
1995	BTU/HR x 1,000	BTU x 10,000	GAL x 1,000	GPM x 1	DEG F
1994	BTU/HR x 1,000	BTU x 100,000	GAL x 100	GPM x 1	DEG F
1993	BTU/HR x 1,000	BTU x 100,000	GAL x 1,000	GPM x 1	DEG F
1992	BTU/HR x 1,000,000	BTU x 100,000	GAL x 1,000	GPM x 1	DEG F
1991	BTU/HR x 1,000,000	BTU x 100,000	GAL x 10,000	GPM x 1	DEG F
1990	BTU/HR x 1,000,000	BTU x 1,000,000	GAL x 1,000	GPM x 1	DEG F
1989	BTU/HR x 1,000,000	BTU x 1,000,000	GAL x 10,000	GPM x 1	DEG F
1988	BTU/HR x 1,000,000	BTU x 1,000,000	GAL x 10,000	GPM x 10	DEG F
1987	BTU/HR x 1,000	TON-HRS x 1	GAL x 100	GPM x 1	DEG F
1986	BTU/HR x 1,000	TON-HRS x 1	GAL x 1,000	GPM x 1	DEG F
1985	BTU/HR x 1,000	TON-HRS x 10	GAL x 1,000	GPM x 1	DEG F
1984	BTU/HR x 1,000,000	TON-HRS x 10	GAL x 1,000	GPM x 1	DEG F

TABLE OF STANDARD SYSTEM-10-P1 APPLICATION NUMBERS					
1983	BTU/HR x 1,000,000	TON-HRS x 10	GAL x 10,000	GPM x 1	DEG F
1982	BTU/HR x 1,000,000	TON-HRS x 100	GAL x 1,000	GPM x 1	DEG F
1981	BTU/HR x 1,000,000	TON-HRS x 100	GAL x 10,000	GPM x 1	DEG F
1980	BTU/HR x 1,000,000	TON-HRS x 100	GAL x 10,000	GPM x 10	DEG F
1979	TONS x 1	BTU x 1,000	GAL x 10	GPM x 1	DEG F
1978	TONS x 1	BTU x 10,000	GAL x 10	GPM x 1	DEG F
1977	TONS x 1	BTU x 10,000	GAL x 100	GPM x 1	DEG F
1976	TONS x 1	BTU x 10,000	GAL x 1,000	GPM x 1	DEG F
1975	TONS x 1	BTU x 100,000	GAL x 100	GPM x 1	DEG F
1974	TONS x 1	BTU x 100,000	GAL x 1,000	GPM x 1	DEG F
1973	TONS x 1	BTU x 100,000	GAL x 10,000	GPM x 1	DEG F
1972	TONS x 1	BTU x 1,000,000	GAL x 1,000	GPM x 1	DEG F
1971	TONS x 1	BTU x 1,000,000	GAL x 10,000	GPM x 1	DEG F
1970	TONS x 1	BTU x 1,000,000	GAL x 10,000	GPM x 10	DEG F
1969	TONS x 1	TON-HRS x 1	GAL x 100	GPM x 1	DEG F
1968	TONS x 1	TON-HRS x 1	GAL x 1,000	GPM x 1	DEG F
1967	TONS x 1	TON-HRS x 10	GAL x 1,000	GPM x 1	DEG F
1966	TONS x 1	TON-HRS x 10	GAL x 10,000	GPM x 1	DEG F
1965	TONS x 1	TON-HRS x 100	GAL x 1,000	GPM x 1	DEG F
1964	TONS x 1	TON-HRS x 100	GAL x 10,000	GPM x 1	DEG F
1963	TONS x 1	TON-HRS x 100	GAL x 10,000	GPM x 10	DEG F

4.6 SYSTEM-10-P1 POINT DATABASE

The Point Database table on the next page lists all of the points used by the System-10-P1 BTU Meter. NOTE: Also refer to the Siemens' Application Note, Document No. 140-0280 for more information.

4.6.1 System-10-P1 Point Database

IMPORTANT NOTE

System-10-P1 BTU Meter totalization registers are 6 digit registers. User defined units and multipliers are then applied to these values. This is required to allow for the accumulation of totals over a reasonable time period without exceeding the capacity of the register. P1 variables are limited in range to 32,767. In order to properly convey the System-10-P1 information, each totalization register is represented by two separate type 3 LAI points. The first point represents digits from 0-9,999. The second point represents the digits from 10,000-999,999. The user-selected multiplier is applied to the units for the first word. For the second point, the multiplier is adjusted by a factor of 10,000 then applied to the units.

Example: The System-10-P1 would process a Mode 1 Energy Total of 500,100,000 Btu's, as 500,100 x 1K BTU. The associated P1 variables would be as follows:

- Point 9 – 0100, Units x 1kBtu
- Point 10 – 0050, Units x XMBtu



P1 POINTS								
Pt	Name/Range	Type	Category	COV	OVR	Default	Initial	Current
1	Address Range: 1-99	02	LAO	NO	YES	99	11 _H	None
2	Application	02	LAO	NO	NO	1999 ₁₀	1999 ₁₀	None
3	Energy Rate - 0-32,767	03	LAI	YES	NO	0	0	Integer
4	Flow Rate - 0-32,767	03	LAI	YES	NO	0	0	Integer
5	Supply Temperature - 0-250°F	03	LAI	YES	NO	0	0	Integer
6	Return Temperature - 0-250°F	03	LAI	YES	NO	0	0	Integer
7	Delta Temperature - 0-250°F	03	LAI	YES	NO	0	0	Integer
8	Operating Mode: 1/Heat, 2/Cool	03	LDI	NO	NO	0	0	Byte
9	W0-M1 Energy: 000,000-009,999	03	LAI	NO	NO	0	0	Integer
10	W1-M1 Energy: 010,000-999,999	03	LAI	NO	NO	0	0	Integer
11	W0-M1 Volume: 000,000-009,999	03	LAI	NO	NO	0	0	Integer
12	W1-M1 Volume: 010,000-999,999	03	LAI	NO	NO	0	0	Integer
13	W0-M2 Energy: 000,000-009,999	03	LAI	NO	NO	0	0	Integer
14	W1-M2 Energy: 010,000-999,999	03	LAI	NO	NO	0	0	Integer
15	W0-M2 Volume: 000,000-009,999	03	LAI	NO	NO	0	0	Integer
16	W1-M2 Volume: 010,000-999,999	03	LAI	NO	NO	0	0	Integer
17	W0-AuxIn-1: 000,000-009,999 (Di3)	03	LAI	NO	NO	0	0	Integer
18	W1-AuxIn-2: 010,000-999,999 (Di3)	03	LAI	NO	NO	0	0	Integer
19	Not Used							
20	Point 20, Override Time (Hours) Range 0-FF	02	LAO	NO	YES	1	1	None
21	M-1 E Reset - 0/Off, 1/Reset	01	LDO	NO	YES	0	0	Byte
22	M-1 V Reset - 0/Off, 1/Reset	01	LDO	NO	YES	0	0	Byte
23	M-2 E Reset - 0/Off, 1/Reset	01	LDO	NO	YES	0	0	Byte
24	M-2 V Reset - 0/Off, 1/Reset	01	LDO	NO	YES	0	0	Byte
25	AuxIn Reset - 0/Off, 1/Reset (Di3)	01	LDO	NO	YES	0	0	Byte
29	DAY.NGT ON=Night; OFF=Day; Default=OFF	01	LDO	NO	YES	0	0	Byte
99	ERROR STATUS Bit Oriented	01	LAO	NO	YES	0	0	Integer
100	Point 100 Factory Flag	Factory Flag is not a point in the sense that the others are. It is referenced only by the Memorize Point Command. Other commands should NAK it with "POINT DOES NOT EXIST".						

NOTE: Also refer to the Siemens' Application Note, Document No. 140-0280 for additional information.

4.7 COMMISSIONING

Upon initial installation, it is strongly recommended that both the System-10 and its associated flow meter be commissioned to ensure that they are properly installed and functioning correctly. This process involves verifying the mechanical installation, measuring flow and temperature signals and then comparing these measurements to the specified installation and operating parameters listed on the certificate of calibration provided with the meter. The data collected during this initial commissioning process will then serve as baseline data for periodic revalidation of the meter operation.

COMMISSIONING PROCEDURE - ONICON BTU METERS

Please read all installation instructions carefully before proceeding. Wiring diagrams are located in the appendix of this manual. Use the BTU Meter Certificate of Calibration (C of C) to verify that the Specified Installation & Operating Parameters match the actual conditions at the location where the meter is installed. A worksheet for checking off these steps and recording measured values is located on the following page.



The image shows a 'BTU METER CERTIFICATE OF CALIBRATION' form from ONICON. The form is titled 'BTU METER CERTIFICATE OF CALIBRATION' and includes the ONICON logo. It contains several sections for recording data:

- CALIBRATION, INSTALLATION & CONFIGURATION DATA for BTU METER MODEL SYSTEM-10, Serial No 123456**
Calibrated for use with Flow Meter Model F-XXXX, Serial No 123456
- PROPER INSTALLATION & OPERATING PARAMETERS**
 - Control Pipe Size & Material:
 - Type Schedule (or STD):
 - Fluid:
 - Typical & Maximum Flow Rate:
 - Design Supply Temperature: MDSR 1, MDSR 2
 - Design Return Temperature: MDSR 1, MDSR 2
 - Design Fluid Specific Heat:
 - Design Fluid Density:
 - Design Maximum Heat Flow Rate:
- INSTALLATION DATA**
 - Excitation Type:
 - Excitation Type:
 - Input Voltage:
- CALIBRATION DATA**
 - Calibration Protocol:
 - Software Version:
 - Flow Meter Model Factor or MCU Gain:
 - Display Units & Multiplier:
 - Range Limit: Energy Rate
 - Flow Limit: Flow Rate
 - Temperature:
 - Device Address:
 - Display:
 - Pipe ID:
 - Pipe Diameter:
 - Pipity Temperature Range & Offset:
 - Return Temperature Range & Offset:
 - Output:
 - Range Limit 1 Pipe =
 - Flow Rate:
 - Energy Rate:
 - Date (Y):

Calibrated by: _____ Date: _____

ONICON Incorporated certifies that this flow meter was calibrated against a primary standard accurate to within 0.1% and traceable to the U.S. National Institute of Standards and Technology (NIST).

1000 North Belcher Road, Clearwater, Florida 33767 Tel: (727) 447-6140 Fax: (727) 442-5699

1.	<p>Confirm flow meter location and adequate straight pipe run to achieve desired results.</p> <p>Confirm that the flow meter location is identified and selected as per section 4.5 of this manual.</p>	<p>Is the flow meter located in the correct location as required by the plans?</p> <p>Compare actual straight pipe upstream and downstream of the flow meter location to the recommended distances identified in the flow meter installation manual.</p> <p>Note: The flow meter manual is very conservative, assuming worst-case pipe obstructions. Contact ONICON to discuss specifics of your application. If straight pipe run is very short, consult ONICON PRIOR to installing the flow meter to discuss the possibility of upgrading to a different flow meter.</p> <p>Review and record the meter location program setting.</p>
2.	<p>Confirm pipe size & material.</p>	<p>Confirm that the flow meter is tagged for the pipe diameter and material it is installed in and that this information corresponds to the information listed on the BTU meter certificate of calibration. When in doubt, measure the circumference of the pipe.</p> <p>Pipe O.D. = (circumference / 3.14) – (insulation thickness x 2)</p>
3.	<p>Confirm insertion depth and orientation (for insertion meters only).</p>	<p>Each insertion type flow meter comes with an attached insertion gage and instruction tag. Ensure that meter is inserted to correct depth and that the electronics enclosure is parallel with the pipe, with the arrow in the direction of flow.</p>
4.	<p>Confirm temperature sensor thermowell installations.</p>	<p>Confirm that the thermowells are properly installed and the bottom of the well is in the flow stream. Make certain that only the components supplied with the installation kit were used and that additional bushings were not added.</p>
5.	<p>Confirm temperature sensor installations.</p>	<p>Confirm that the temperature sensors are properly installed, and each sensor is bottomed out in the well. A small amount of thermal compound should be applied to the tip of each sensor to improve the thermal transfer.</p> <p>Each sensor has a black sleeve on the cable coming up from the metal sensor. This sleeve is cut to length for the thermowell. When the sensor is fully bottomed out in the well, the retaining nut can be tightened without any of the black sleeve protruding through the nut.</p>
6.	<p>Confirm connection to correct ONICON BTU meter.</p>	<p>Confirm that the flow meter serial number matches the BTU meter serial number (when ordered together). Also confirm that the serial numbers of the temperature sensors match the BTU and flow meters.</p>
7.	<p>Verify the type of fluid used in the piping system.</p>	<p>Confirm that the fluid specified on the BTU meter certificate of calibration matches the fluid flowing in the piping system.</p>
8.	<p>Confirm correct supply voltage.</p>	<p>Verify that correct AC voltage is available at the power supply input terminals. System-10 BTU Meters are configured to operate from 24, 120 or 230 VAC input voltage (not field selectable).</p> <p>Input voltages should be within the following ranges: 24 VAC: 20 - 28 VAC 120 VAC: 108 - 132 VAC 230 VAC: 207 - 253 VAC</p> <p>The System-10's internal power supply will provide 24 VDC to power the ONICON flow meter (except F-3100/F-3200) which can be measured at T-4, pins 1 (+) and 2 (-).</p>
<p>In order to proceed with the following steps, the BTU meter must be operating and connected to the network. There must also be flow in pipes. Flow signal readings should be taken while holding the flow rate constant if possible. Otherwise, take the various output readings as quickly as possible.</p>		
9.	<p>Select the SUPPLY TEMP page. Note and record the temperature.</p>	<p>Scroll through the BTU meter display pages and select the SUPPLY TEMP page. Note the displayed temperature and confirm that it is close to the design supply temperature specified on the BTU meter certificate of calibration. Record the temperature.</p>
10.	<p>Select the RETURN TEMP page. Note and record the temperature.</p>	<p>Scroll through the BTU meter display pages and select the RETURN TEMP page. Note the displayed temperature and confirm that it is close to the design return temperature specified on the BTU meter certificate of calibration. Record the temperature.</p>

11.	Select the FLOW RATE page. Note and record the flow reading.	Scroll through the BTU meter display pages and select the FLOW RATE page. Note the displayed flow rate and confirm that it is within the expected range specified on the BTU meter certificate of calibration. Record the flow rate.
12.	For flow meters that provide a frequency output, measure and record output(s). Compare calculated vs. displayed flow rates. F-1200 or FB-1200 only Confirm both turbines produce pulses.	The average frequency output signal is a 0-15 VDC pulsed output ranging up to 200 Hz and must be measured with a frequency counter or oscilloscope. Measure DC Frequency (Hz) at T4 from terminal 6(+) to 7(-). $\text{GPM} = \frac{\text{Frequency in Hz} \times 60}{\text{Meter Factor in ppg.}}$ (Refer to calibration tag for meter factor.) For the F-1200 or FB-1200 dual turbine model, also measure and record the top and bottom turbine signals. Top Turbine: T4-12(+) to T4-2(-). Bottom Turbine: T4-13(+) to T4-2(-) Also, measure DC volts on same terminals. Five to 7 VDC is normal for a spinning turbine. Zero or 14+ VDC indicates a stopped turbine. (1 to 4 VDC could indicate a problem.)
13.	Compare and record the displayed values with those shown by the building control system.	Scroll through each page of the BTU meter display menu and compare the displayed values with those shown on the building control network. Record the results.
End of standard commissioning. Please contact ONICON at (727)447-6140 with any questions.		

COMMISSIONING WORKSHEET FOR ONICON BTU METERS

Please read all installation instructions carefully prior to proceeding with these steps. Wiring diagrams are located in the appendix. Use the following worksheet for checking off the commissioning steps and recording measured values:

STEP	TEST/MEASUREMENT	S/N:	S/N:	S/N:	S/N:
1.	Meter location				
1a.	Supply/Return/Unknown				
2.	Pipe size				
3.	Insertion depth and orientation				
4.	Thermowell installation				
5.	Temperature installation				
6.	Match BTU meter, flow meter and temperature sensor serial numbers.				
7.	Supply voltage verified (Note voltage.)				
<p>In order to proceed with the following steps, the BTU meter must be operating and connected to the network. There must also be flow in pipes. Flow signal readings should be taken while holding the flow rate constant if possible. Otherwise, take the various output readings as quickly as possible.</p>					
8.	Note and record the SUPPLY temperature.				
9.	Note and record the RETURN temperature.				
10.	Note and record the FLOW RATE.				
11.	Note and record the ENERGY RATE.				
12.	Frequency output(s): Avg = green, Top = white Bottom = orange Avg Freq. (HZ): Avg Freq. (VDC): Top Turbine (HZ): Top Turbine (VDC): Bottom Turbine (HZ): Bottom Turbine (VDC): Calculated Flow Rate:				
13.	Compare and record the displayed values with those shown on BTU meter certificate of calibration and the network, where appropriate.				

SECTION 5.0: DIAGNOSTICS

5.1 DIAGNOSTICS

The ONICON System-10 BTU Meter uses a microprocessor to calculate energy. Factory programmed settings provide rate and total values in accordance with the customer's application data. Refer to the BTU meter certificate of calibration for a complete listing of factory settings. These settings may be reviewed and changed with assistance from ONICON.

The System-10 BTU Meter is also equipped with diagnostic indicator lights and self diagnostic test signals that confirm the operation of the microprocessor and its input circuitry. Please contact ONICON if any of the diagnostic lights or test signals listed below indicates a potential problem with the operation of the BTU meter.



5.1.1 Diagnostic Lights

Low Voltage Power Supply

Located on the power supply board inside the System-10 BTU Meter (refer to A-15), is a single LEDs that will illuminat when +15 VDC is present.

Liquid Flow

Located in the center of the motherboard (refer to A-12) next to terminal block T5, the LED will flash at a rate that is proportional to the liquid flow rate for frequency flow signals. For 4 - 20 mA signals, the light will stay lit whenever the output is greater than 4 mA. An unlit LED indicates no flow signal.

5.1.2 Flow Test Signals

Flow Test

Located in the center of the motherboard (Refer to A-12) immediately above the power supply board is a three position slide switch used to test the flow input. When the switch is in the top position, the BTU meter input is connected to the flow meter. When the switch is in the middle position, the BTU meter input is connected to two test terminals used to apply a variable frequency to simulate flow. When the switch is in the bottom position, the BTU meter input is connected to a 50/60 Hz signal that simulates a fixed flow rate. Refer to the BTU meter certificate of calibration to determine the correct display reading when operating in the 50/60 Hz test mode.

5.1.3 Temperature Test Signals

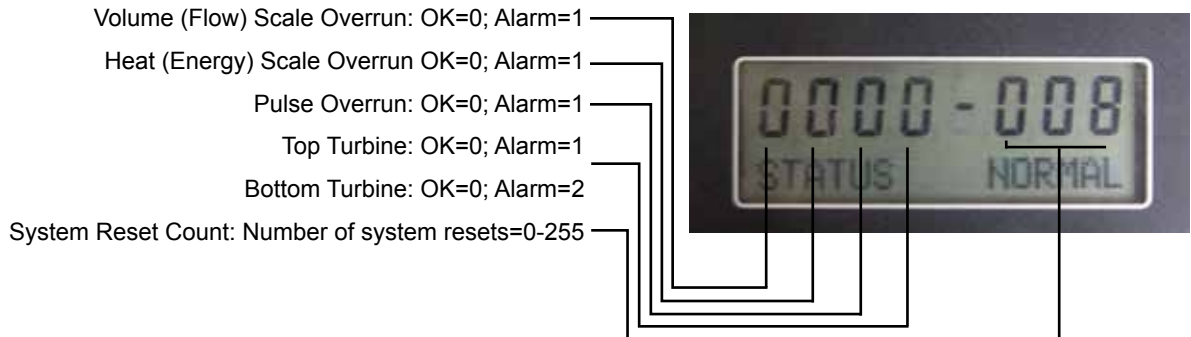
Temperature Test

As you are facing the component side of the BTU computer board, the temperature test pushbutton is along the top edge of the board just to the left of the flat ribbon cable. It is labeled TEMP TEST. When pressed, a fixed voltage will be applied to each temperature sensor input. Both the supply and return temperature menu pages will display a temperature between 98° F to 102° F (36.6° C to 38.9° C). This test confirms the operation of the BTU computer board input circuitry for temperature measurement.

5.2 ALARM STATUS MENU PAGE

Alarm Status Menu Page

STATUS NORMAL indicates normal operation. The display will indicate STATUS ALARM when any one of the 5 alarms listed below is present.



Volume (Flow) Scale Overrun – This alarm is present whenever the volume flow rate causes the incremental volume total to accumulate at a rate that is too fast.

To clear this alarm message, first confirm that the flow rate data and pipe diameter data on the tag attached to the meter corresponds with the actual flow rate and actual pipe diameter. Any mismatch between the calibrated and actual flow rates or the calibrated and actual pipe diameter will cause this alarm message to appear. Contact ONICON for assistance in correcting this condition.

Heat (Energy) Scale Overrun – This alarm is present whenever the energy flow rate causes the incremental energy total to accumulate at a rate that is too fast.

To clear this alarm, first confirm that the actual temperature sensor readings and the actual flow reading are within expected norms and match the calibration data provided for the System-10 BTU Meter. Either an excessively high delta temperature or an unexpectedly high flow rate can cause this alarm message to appear. Contact ONICON for assistance in correcting this condition.

Pulse Overrun – This alarm is present whenever the incremental energy total is accumulating at a rate that exceeds the time interval required for the 50% duty cycle of the pulse.

This alarm will normally coincide with either the volume scale or heat scale alarms. That message must be cleared before this message can be cleared. Contact ONICON for assistance in correcting this condition.

Top Turbine – This alarm will occur whenever zero pulses are accumulated from the top turbine while simultaneously pulses are accumulating from the bottom turbine. To clear this alarm, the flow meter should be physically inspected to determine why the top turbine is not rotating.

Bottom Turbine – This alarm will occur whenever zero pulses are accumulated from the bottom turbine while simultaneously pulses are accumulating from the top turbine. To clear this alarm, the flow meter should be physically inspected to determine why the bottom turbine is not rotating.

System Reset Count – The last 3 digits on the display indicate the total number of system resets that have occurred since the current version of the firmware was loaded.

5.3 TROUBLESHOOTING GUIDE FOR SYSTEM-10-P1 BTU MEASUREMENT SYSTEM

NOTE: Also refer to the COMMISSIONING GUIDE located on the preceding pages.

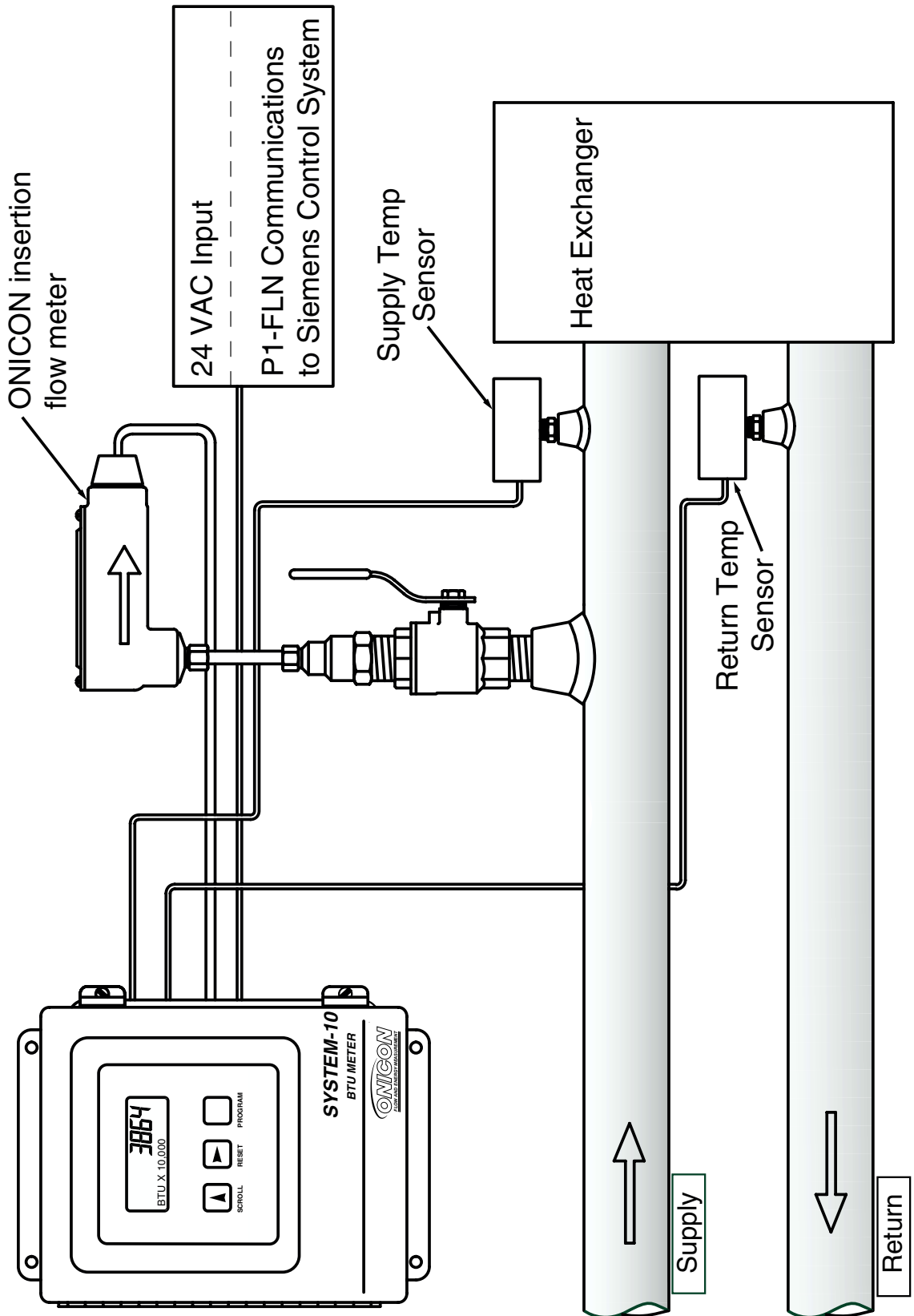
REPORTED PROBLEM	POSSIBLE SOLUTIONS
For turbine meters - No flow signal/ energy rate (while hydronic system is active)	<ul style="list-style-type: none"> • Verify 24 VDC supply voltage to the flow meter. • For insertion meters, verify the flow meter is correctly inserted into the pipe (using depth gage). • For insertion meters, verify that the flow meter electronics enclosure is parallel with the pipe. • Verify correct wiring to the flow meter (see wiring diagram). • For turbine meters, check turbine(s) for clogging due to debris. • If none of the above, check hydronic system to ensure that flow is really present in the line. • NOTE: Flow meter function cannot be verified by blowing on the turbine(s). The sensing system requires a conductive liquid to operate. You can test it by swirling it around in a bucket of water and looking for the flow indicator LED to flash at the System-10.
Displayed flow rate too high or too low	<ul style="list-style-type: none"> • Verify pipe size. Contact ONICON if pipe size is different from calibration tag. • For insertion meters, verify that meter is inserted correctly into the pipe (using depth gage). • For insertion meters, verify that the flow meter electronics enclosure is parallel with the pipe. • For dual turbine meters, confirm that both turbines produce pulses. • For turbine meters, check turbine(s) for debris. • Verify supply voltages (to BTU meter and flow meter).
Displayed temperature(s) too high or too low vs. expected values	<ul style="list-style-type: none"> • Verify wiring to temperature sensor(s), including polarity. • Verify that thermowells are inserted into the flow stream and that the temperature sensors are completely inserted into the thermowells.
Data not available at the control system (Device offline)	<ul style="list-style-type: none"> • Verify that the device address has been correctly programmed into the System-10-P1. • Verify that the System-10-P1 has been properly characterized in the field panel. • Press and hold switch S-1 for two seconds.
Control system displays incorrect multipliers and/or units vs. displayed values	<ul style="list-style-type: none"> • Verify that the units and multipliers shown on the System-10-P1 display agree with the values shown on the Floor Level Network. • The device must be re-characterized in the field panel whenever the System-10-P1 units or multipliers are changed.

For technical assistance, contact ONICON at (727) 447-6140.

APPENDIX A – DRAWINGS

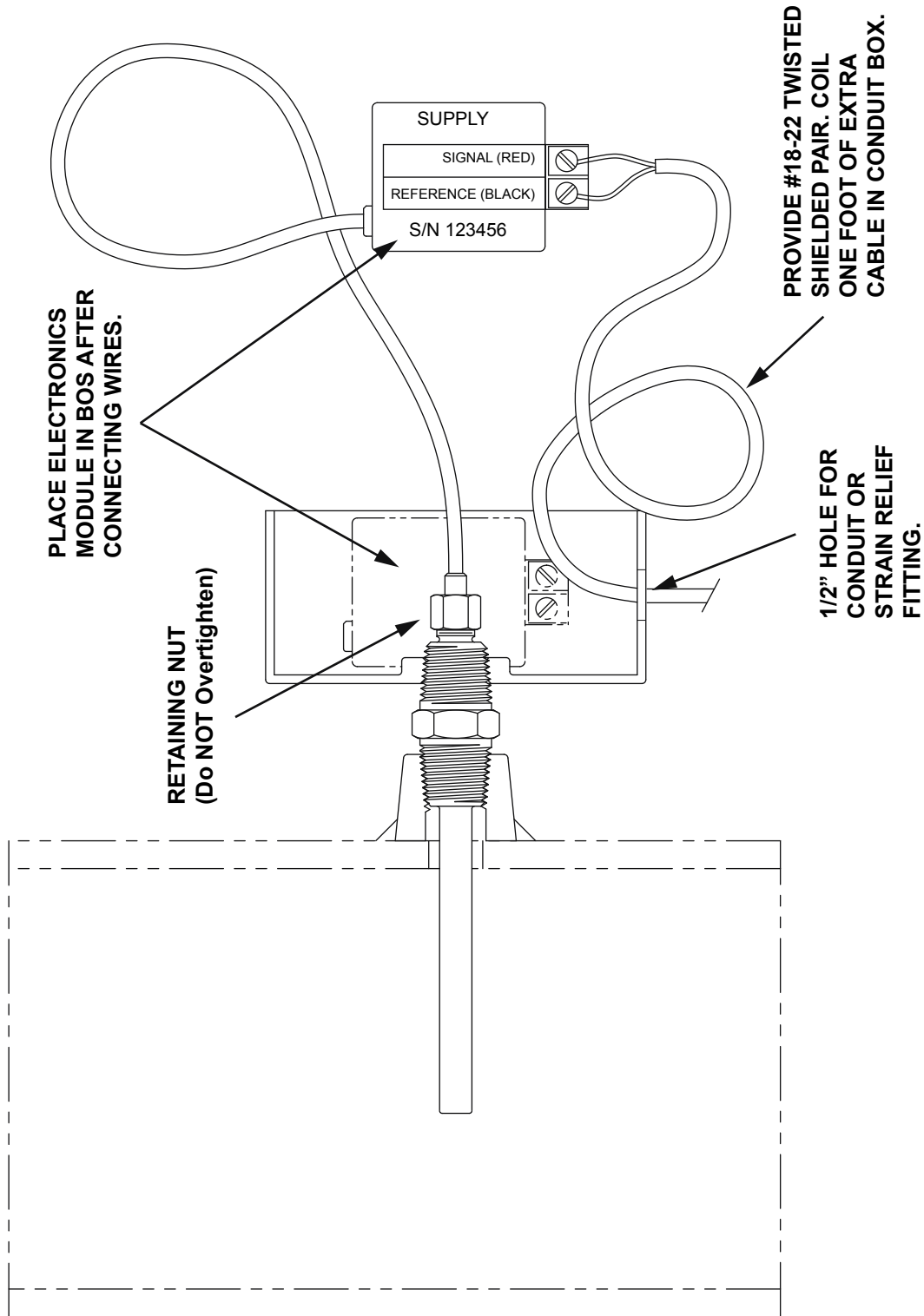
A-1	TYPICAL SYSTEM INSTALLATION
A-2	STANDARD THERMOWELL ASSEMBLY
A-3	THERMOWELL INSTALLATION
A-4/A-5	HOT TAP THERMOWELL (2 PAGES)
A-6	TEMPERATURE SENSOR ASSEMBLY
A-7	MOTHER BOARD TEMPERATURE SENSOR INPUT CONNECTIONS
A-8	MOTHER BOARD INSERTION TURBINE METER INPUT CONNECTIONS
A-9	MOTHER BOARD INSERTION ELECTROMAGNETIC INPUT CONNECTIONS
A-10	MOTHER BOARD INLINE ELECTROMAGNETIC INPUT CONNECTIONS
A-11	MOTHER BOARD
A-12	BTU COMPUTER BOARD
A-13	POWER SUPPLY BOARDS
A-14	P1 BOARD
A-15	P1 BOARD WITH AUXILIARY INPUT PULSE
A-16	BTU METER ANALOG OUTPUT BOARD (with 1 analog output)
A-17	BTU METER ANALOG OUTPUTS BOARD (with 4 analog outputs)
A-18	CONDITIONS OF SALE

TYPICAL SYSTEM-10 INSTALLATION



STANDARD THERMOWELL ASSEMBLY

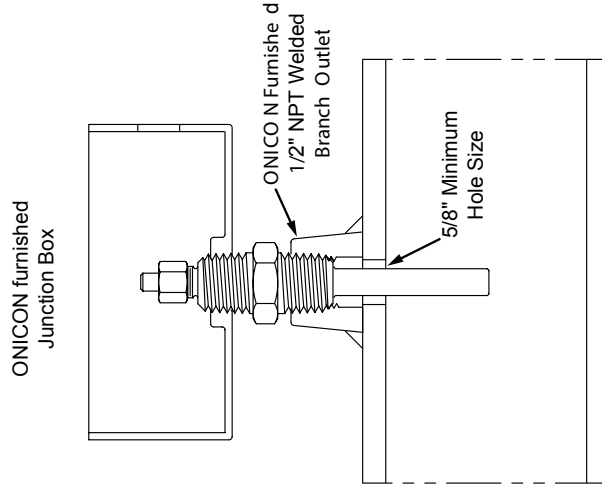
For System-10 Btu Meter Shown with Temperature Sensor



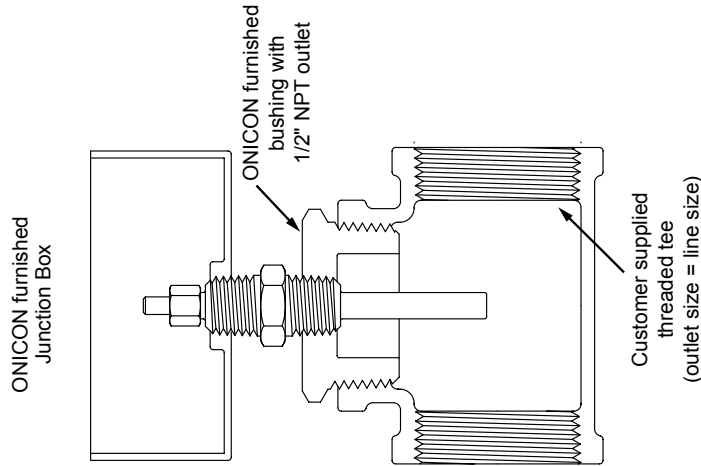
NOTES: 1. If additional couplings are required, ensure that tip of thermowell remains in flow stream.

THERMOWELL INSTALLATION

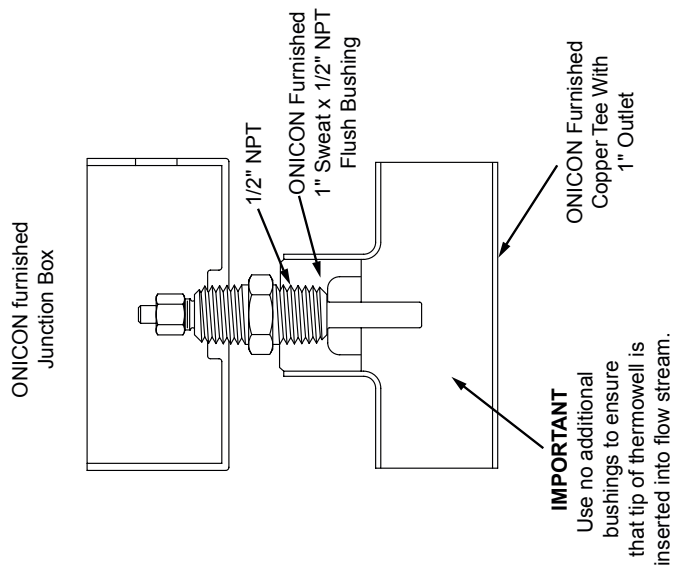
Welded Pipe



Threaded Tee



Copper Tees



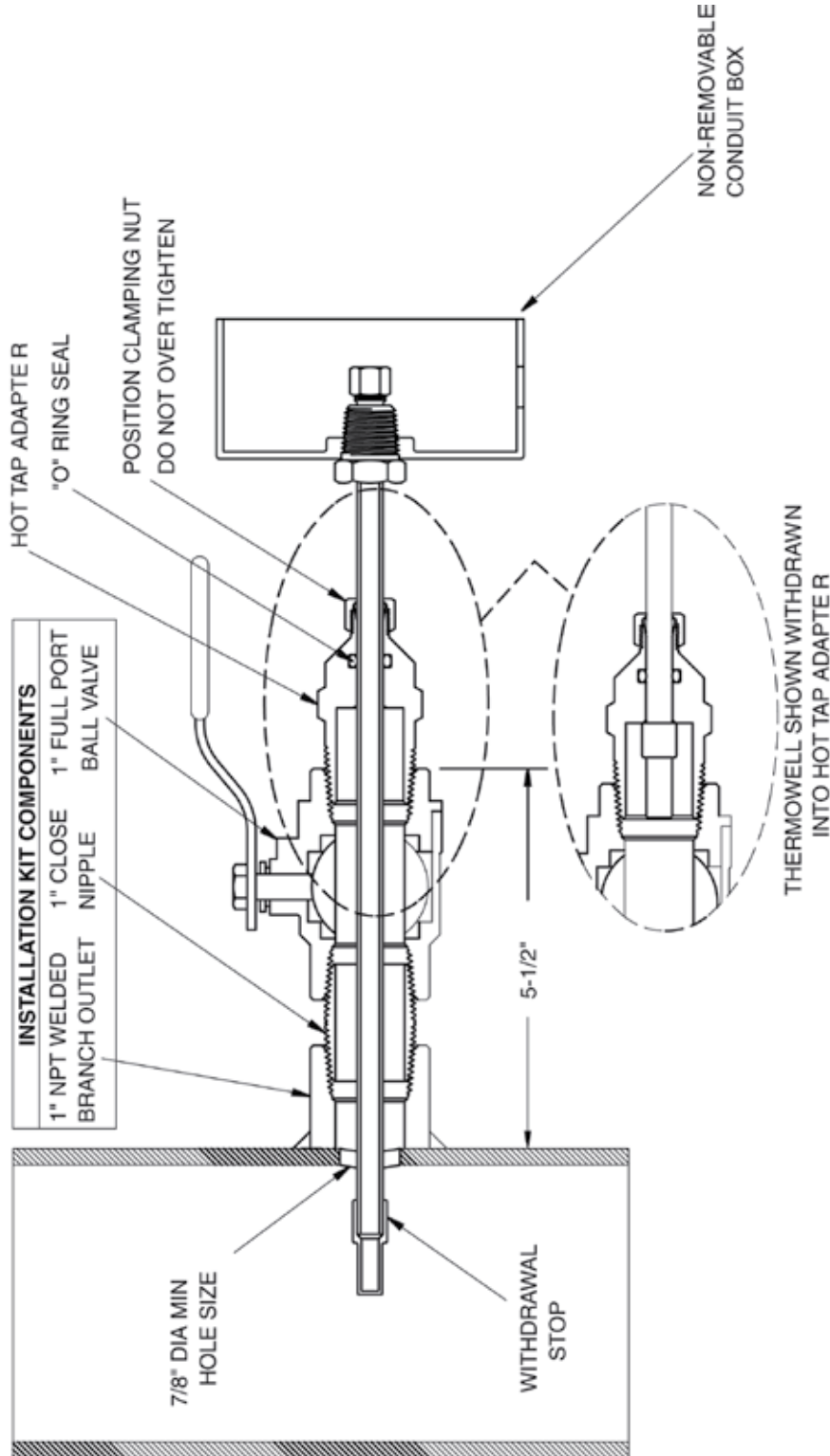
NOTES: 1. If additional fittings are required, ensure that tip of thermowell remains in flow stream.
2. Thermowell length varies with pipe size.

HOT TAP INSTALLATION DETAIL FOR THERMOWELL In Welded Pipe

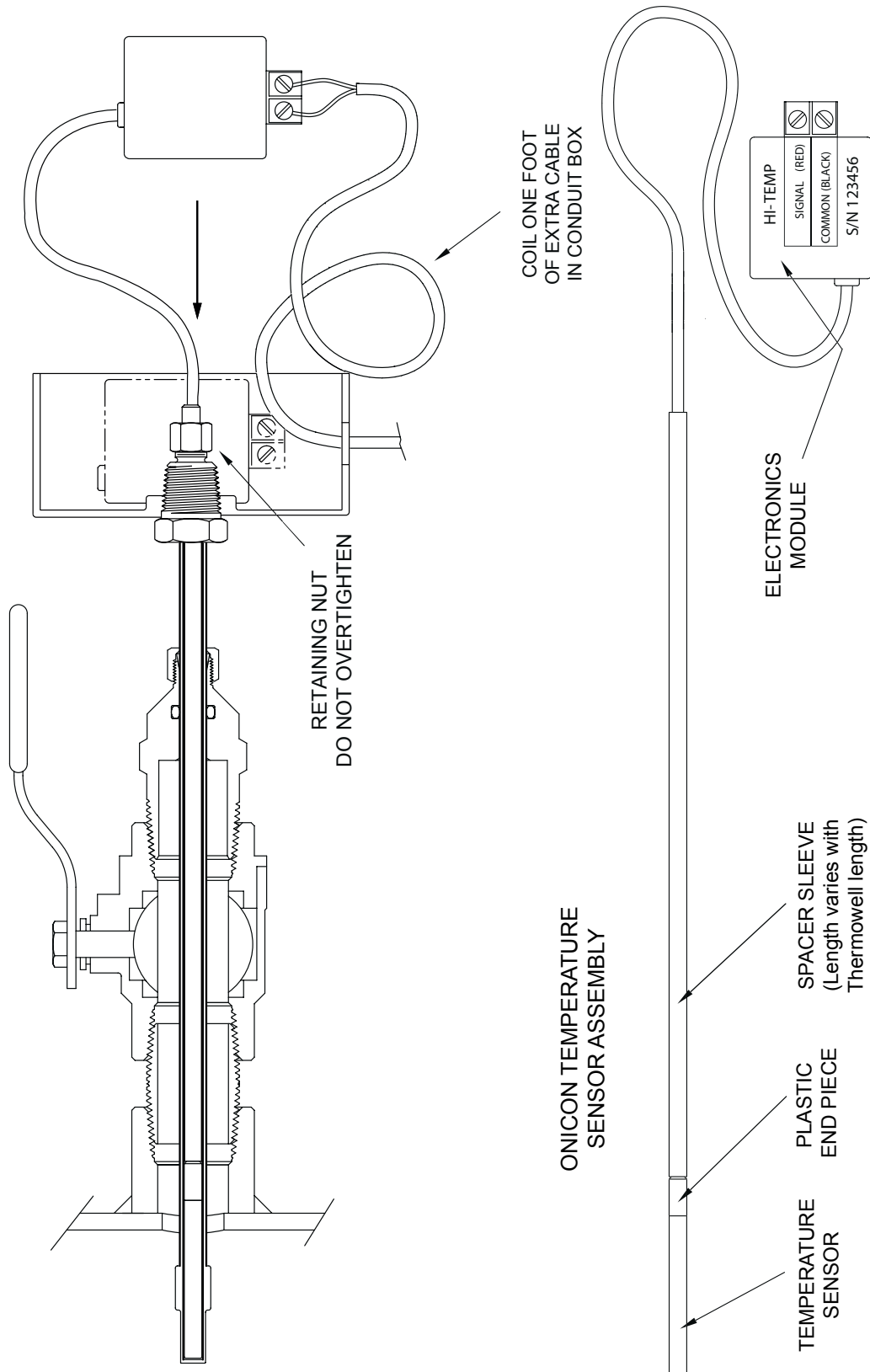


*****CAUTION*****

SYSTEM MAY BE UNDER HIGH PRESSURE. When adjusting the thermowell position or removing it, be sure to hold the conduit box firmly by hand before SLOWLY loosening the positioning clamping nut. Failure to do this will allow the pressure to suddenly and rapidly force the thermowell from the pipe and someone could be seriously injured if struck by the thermowell. The thermowell could also be damaged or break apart causing a break in the water seal with the resultant loss of large amounts of water.



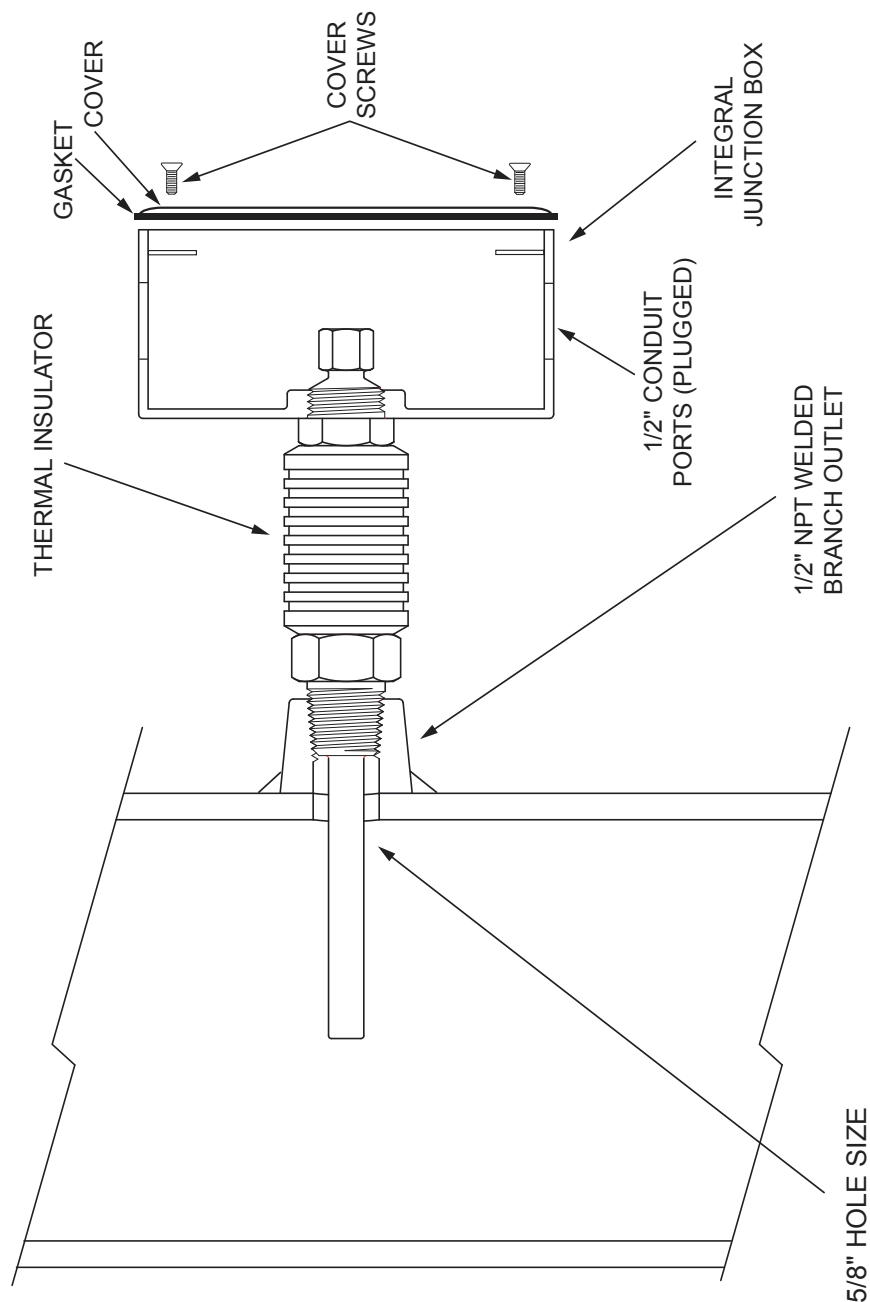
HOT TAP THERMOWELL ASSEMBLY FOR BTU METERS



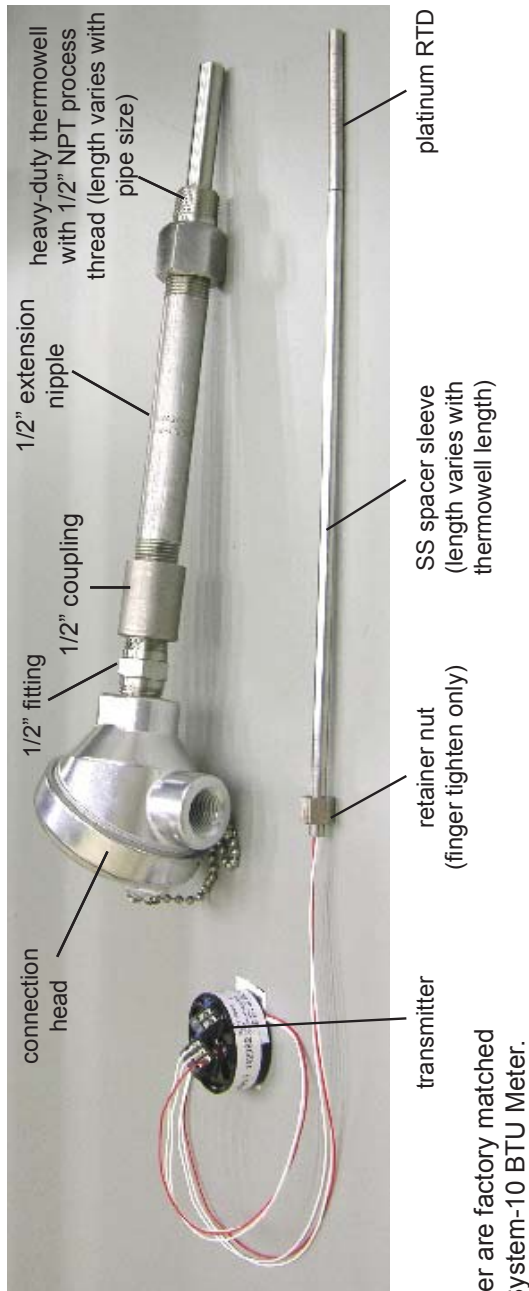
STANDARD INSTALLATION DETAIL FOR THERMOWELL In Welded Pipe



NOTE FOR OUTDOOR INSTALLATIONS	Installer must apply sealant to conduit connector threads, cover and screw heads to ensure weathertight seal.
--------------------------------	---



STANDARD INSTALLATION DETAIL FOR HEAVY DUTY THERMOWELL In Welded Pipe



Step 1:
 Drill 7/8" hole in pipe.
 Install thermowell using fittings supplied by ONICON.

Complete steps 2-4 only after all welding, brazing & soldering are complete.

NOTE: Each sensor and transmitter are factory matched to each other and to a particular System-10 BTU Meter.

Step 4:
 Connect field wires from the System-10 BTU Meter to the transmitter as shown.
 Carefully coil extra wire and thread the lid onto the connection head.

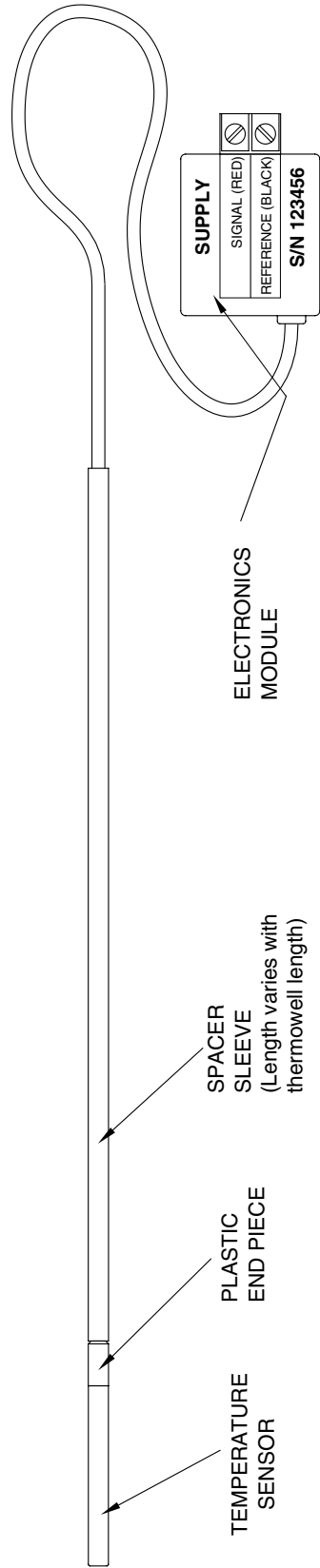
TRANSMITTER WIRING

Step 3:
 Place the transmitter onto the exposed end of the SS spacer sleeve, gently guiding the excess wire through the center hole of the transmitter.
 Use caution to avoid pinching the wires or pulling the sensor out of the thermowell.

Step 2:
 Remove lid and insert RTD assembly into thermowell, ensuring that it bottoms out.
 Thermal compound may be used; apply only a pea-sized amount to the tip of the RTD prior to insertion.
 Thread retaining nut onto fitting at bottom of connection head and hold sensor in place while tightening the nut by hand.
DO NOT OVERTIGHTEN.

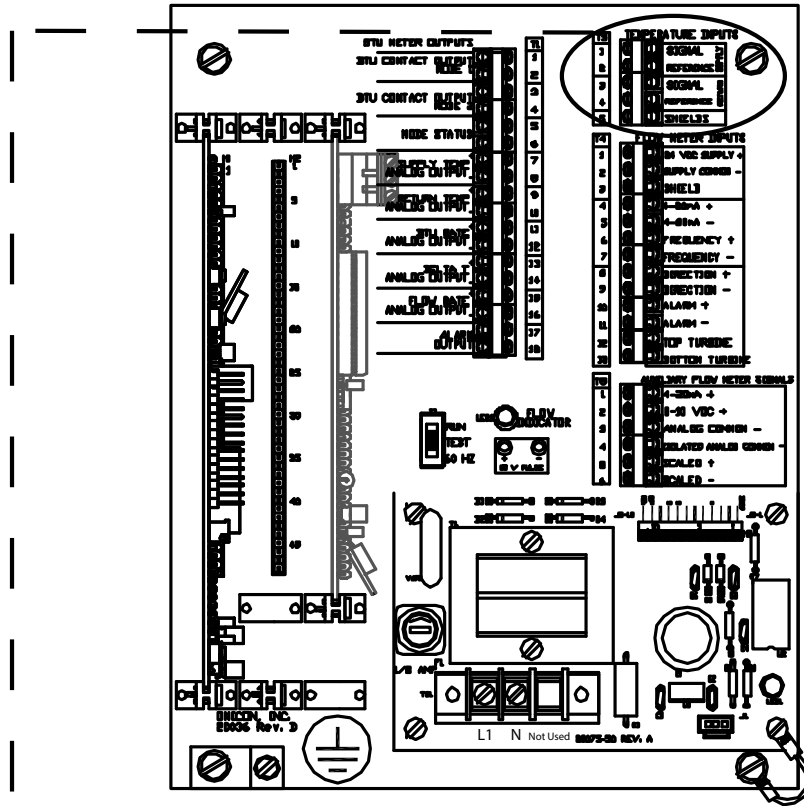
STANDARD TEMPERATURE SENSOR ASSEMBLY

For the System-10 Btu Meter

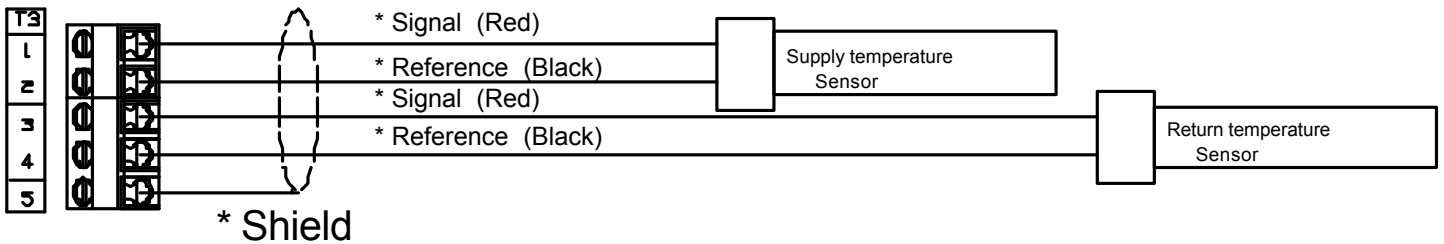


SYSTEM-10 BTU METER MOTHER BOARD

Temperature Sensor Input Connections

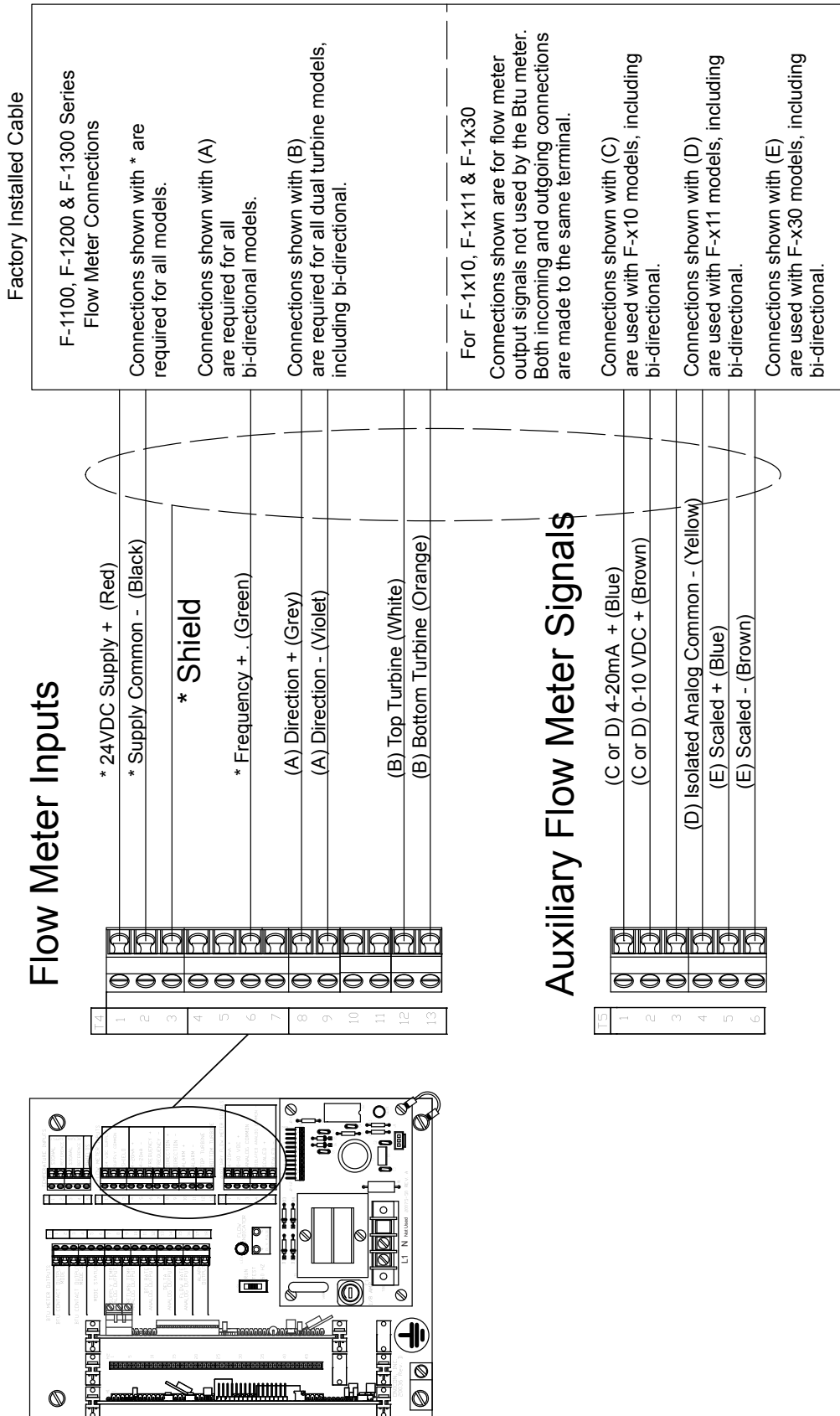


Temperature Inputs



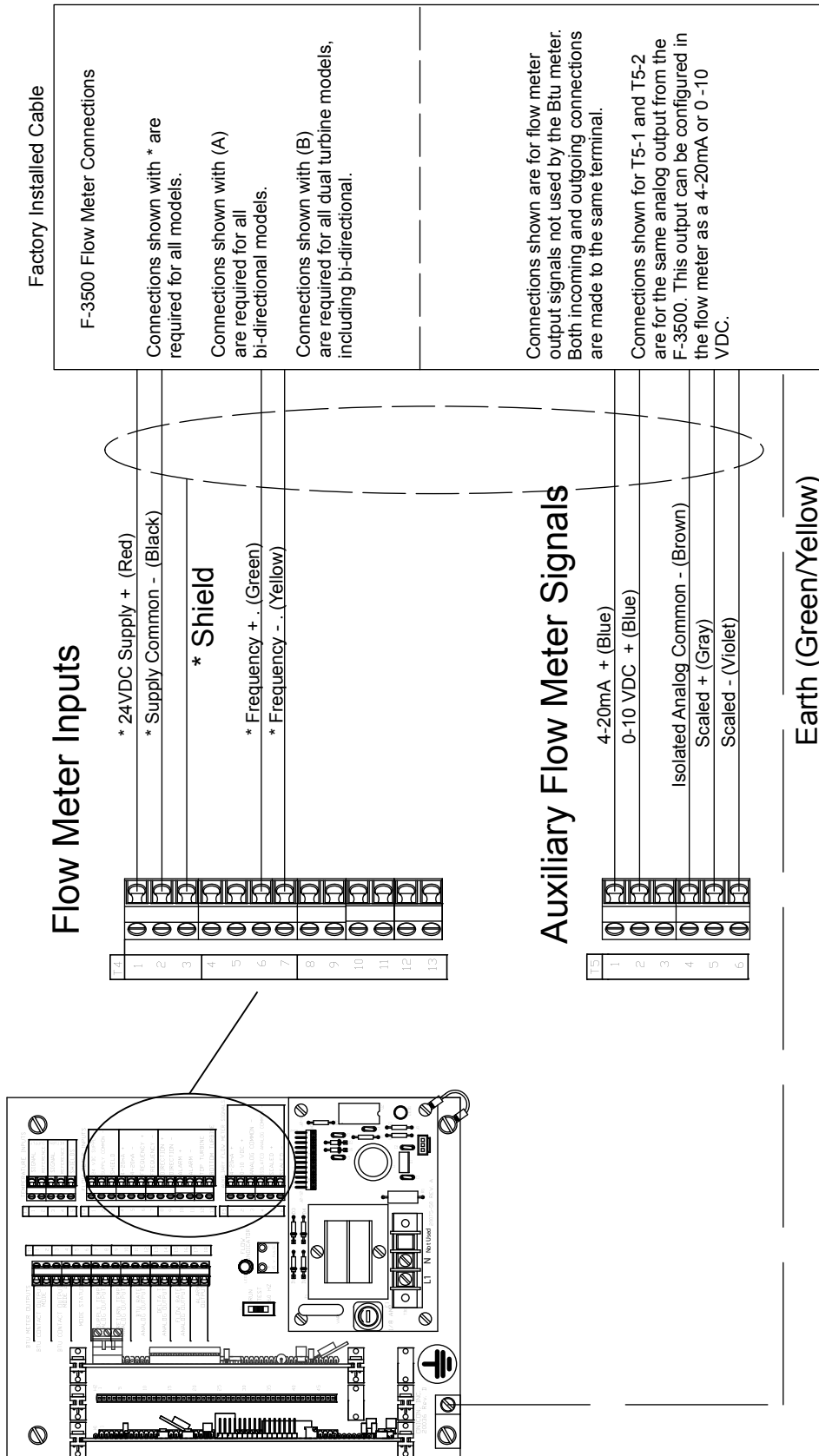
SYSTEM-10 BTU METER MOTHER BOARD

Insertion Turbine Flow Meter Input Connections



SYSTEM-10 BTU METER MOTHER BOARD

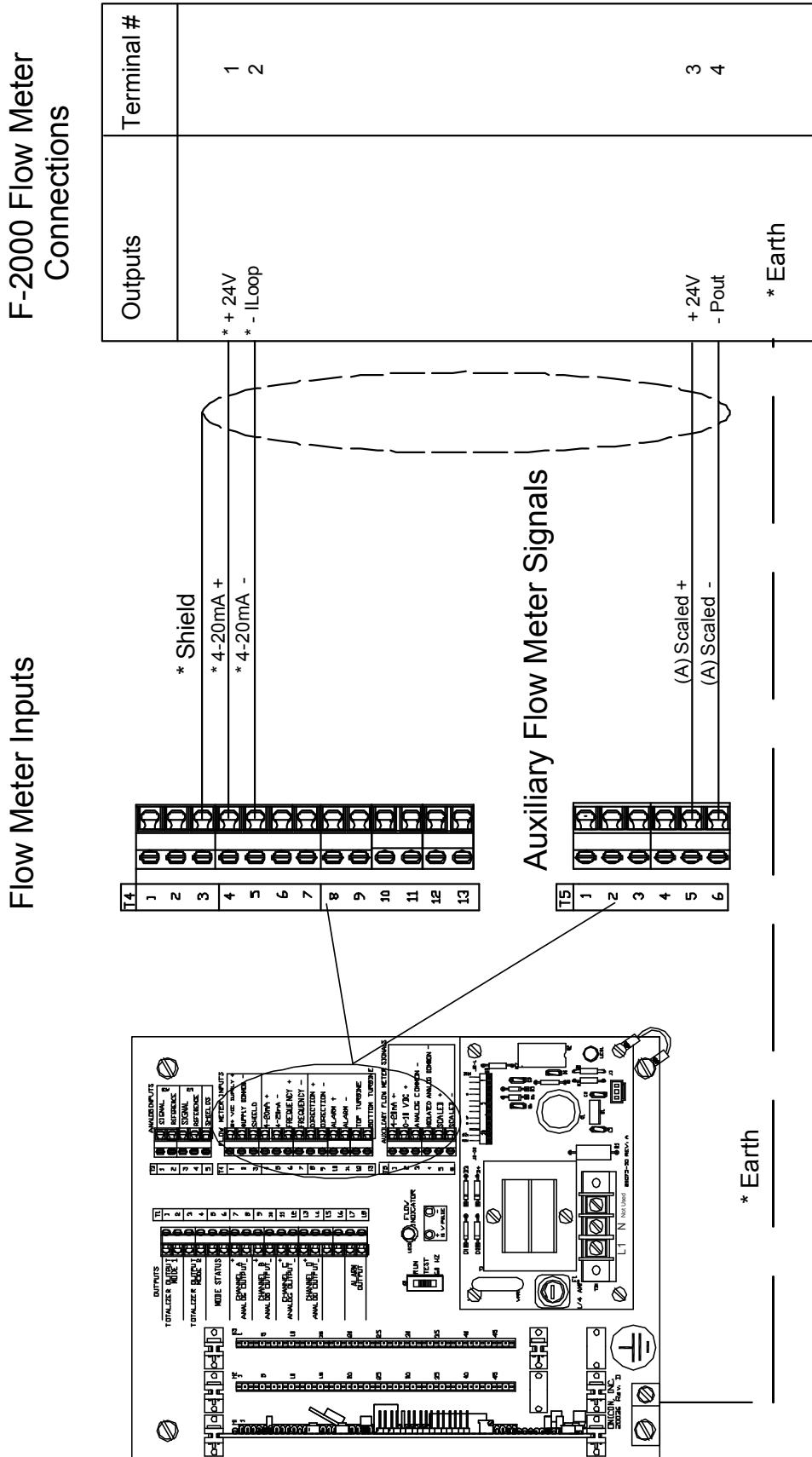
Insertion Electromagnetic Flow Meter Input Connections



SYSTEM-10 BTU METER MOTHER BOARD

F-2500 Vortex

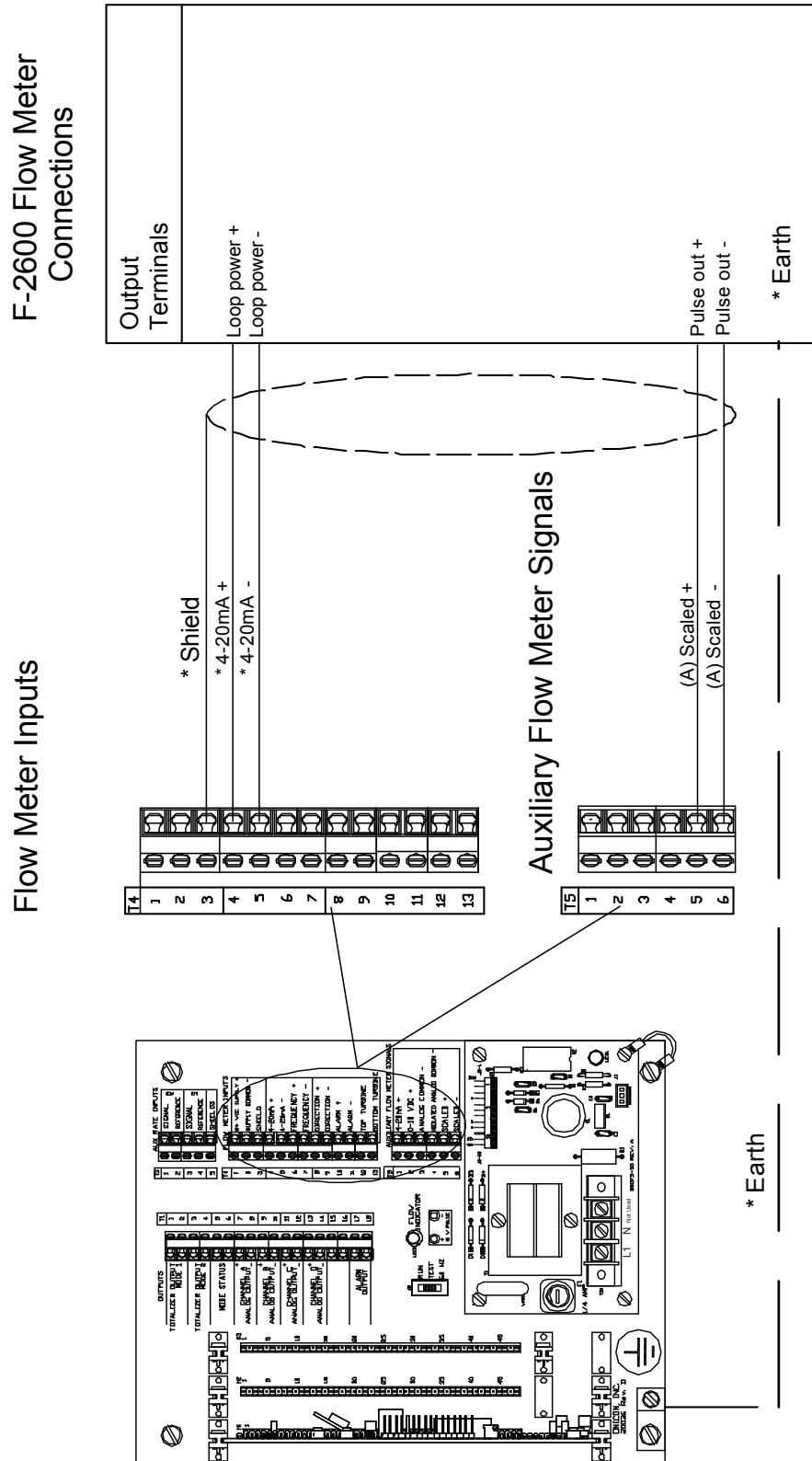
Flow Meter Input Connections



Connections shown with * are required for all installations. Connections shown with (A) are optional.

SYSTEM-10 BTU METER MOTHER BOARD

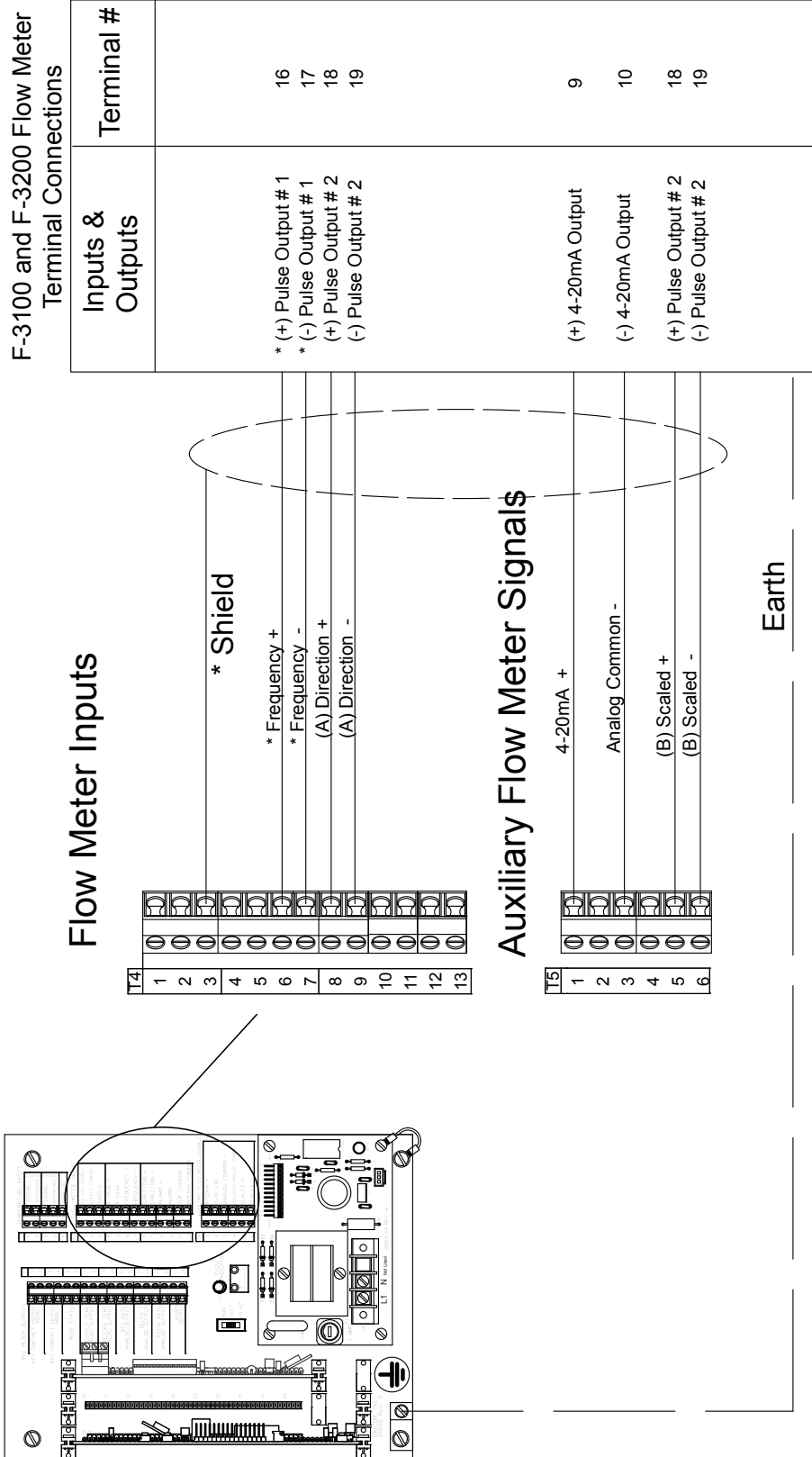
F-2600 & F-2700 Vortex Flow Meter Input Connections



Connections shown with * are required for all installations. Connections shown with (A) are optional.

SYSTEM-10 BTU METER MOTHER BOARD

Inline Electromagnetic Flow Meter Input Connections

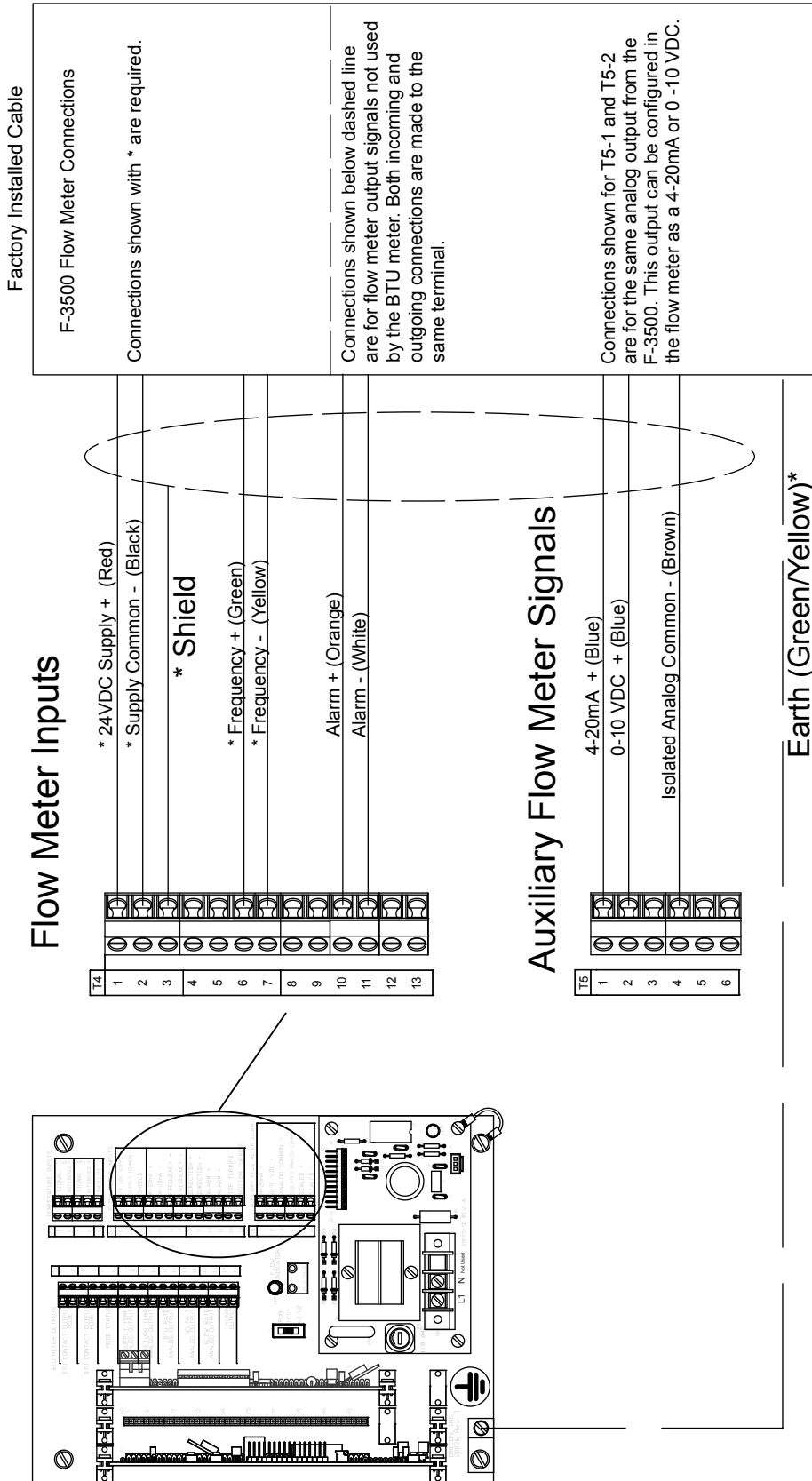


NOTE: The System-10 does not provide power to the F-3100 or F-3200 flow meter. Input power for the flow meter must be provided separately. See flow meter manual for detailed wiring instructions.

Connections shown with * are required for all models. Connections shown with (A) are required for bi-directional flow installations. Connections shown with (B) are for unidirectional installations.

SYSTEM-10 BTU METER MOTHER BOARD

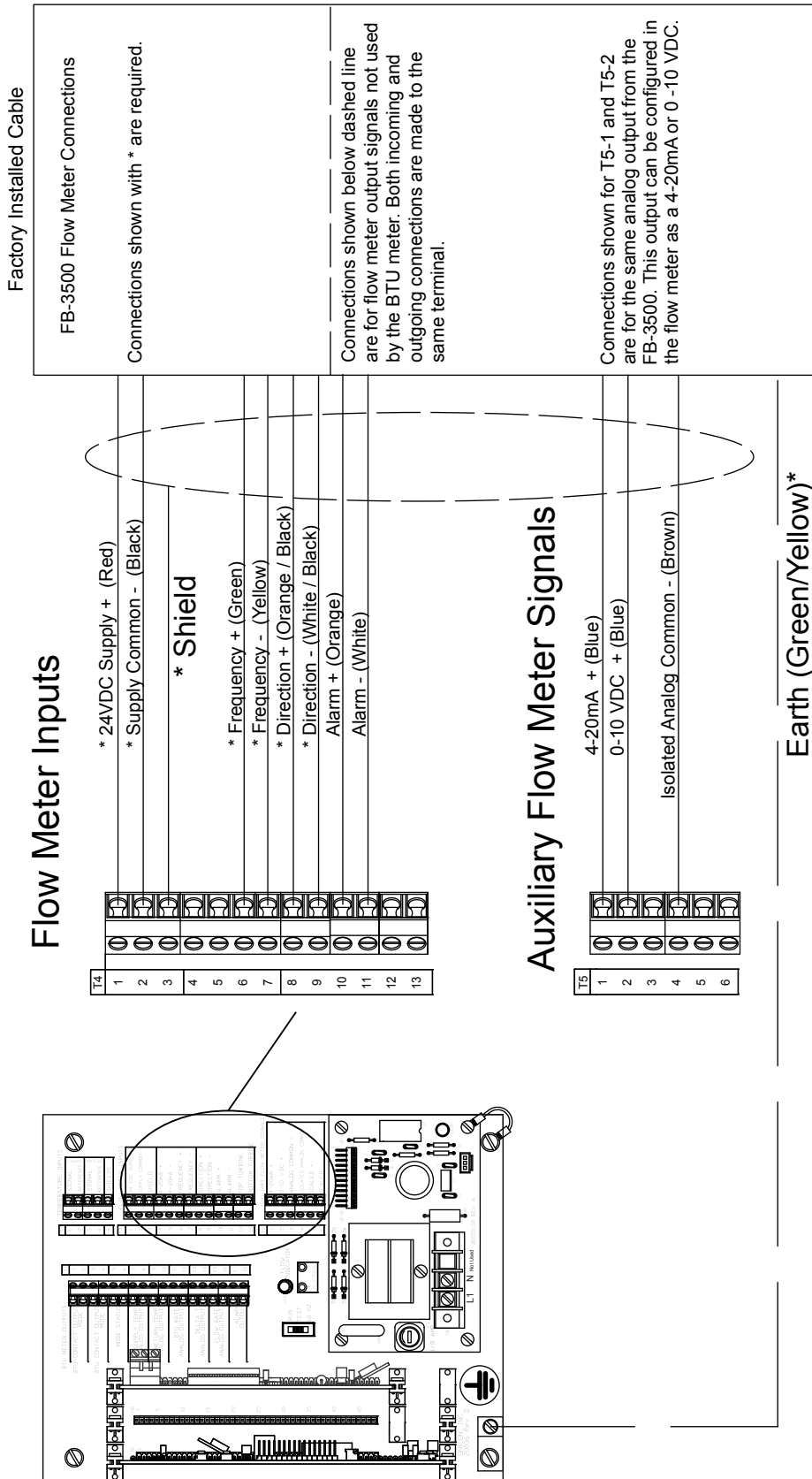
F-3500 Insertion Electromagnetic Flow Meter Input Connections



SYSTEM-10 BTU METER MOTHER BOARD

FB-3500 Insertion Electromagnetic

Flow Meter Input Connections



SYSTEM-10 BTU METER

F-4200 Flow Meter Input Connections

WARNING

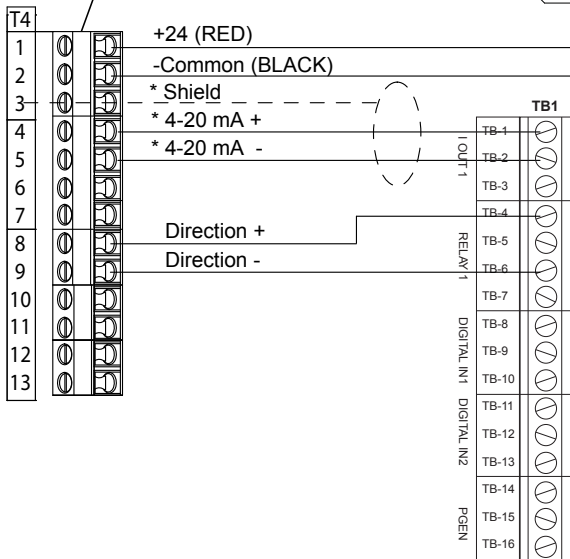
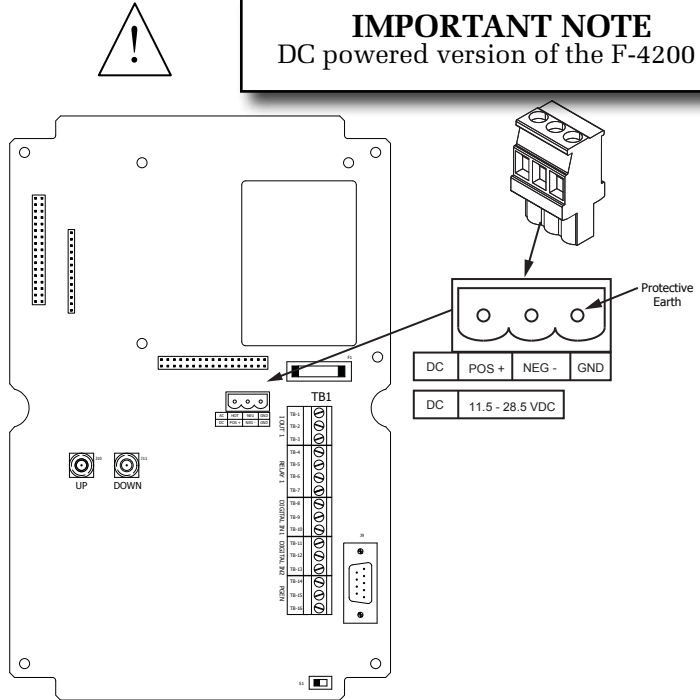
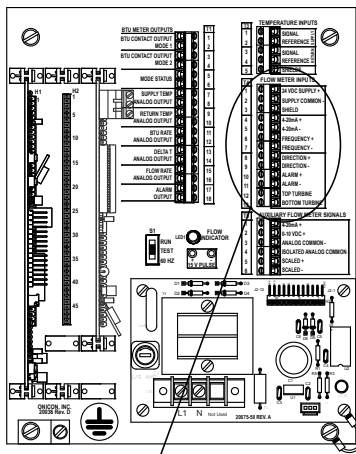
Turn off mains power at the source prior to making power connections to the F-4000. Contact with exposed live wiring may result in electric shock, burns and/or serious injury.



System-10 Flow Meter Connections F-4200

IMPORTANT NOTE

DC powered version of the F-4200

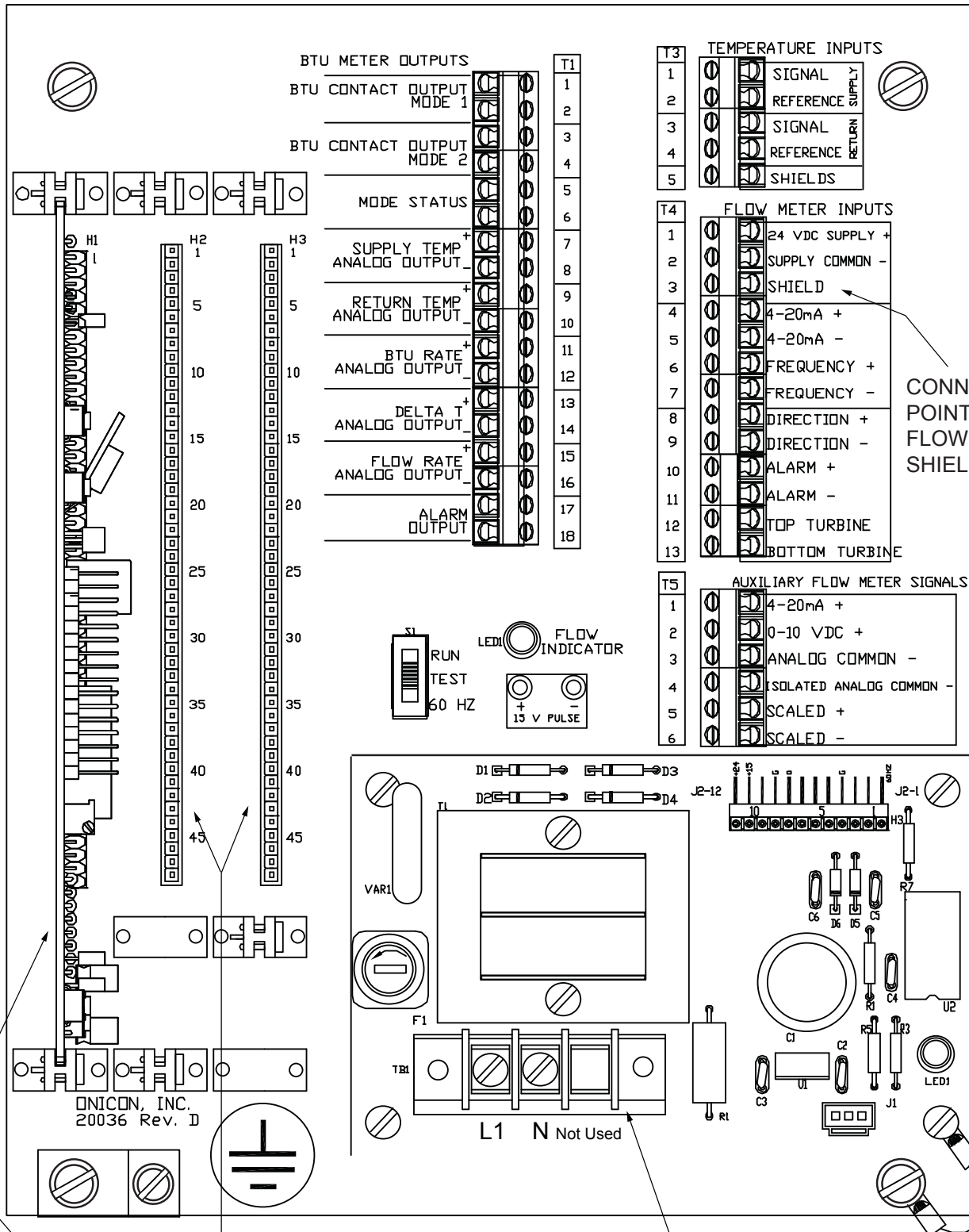


CAUTION

Shield and earth connections are required for proper operation. Failure to use shielded cable or to connect earth to both the flow meter and System-10 may result in erratic operation. Shields should be terminated at the System-10 shield terminals and left unterminated at the flow meter.



SYSTEM-10 BTU METER MOTHER BOARD

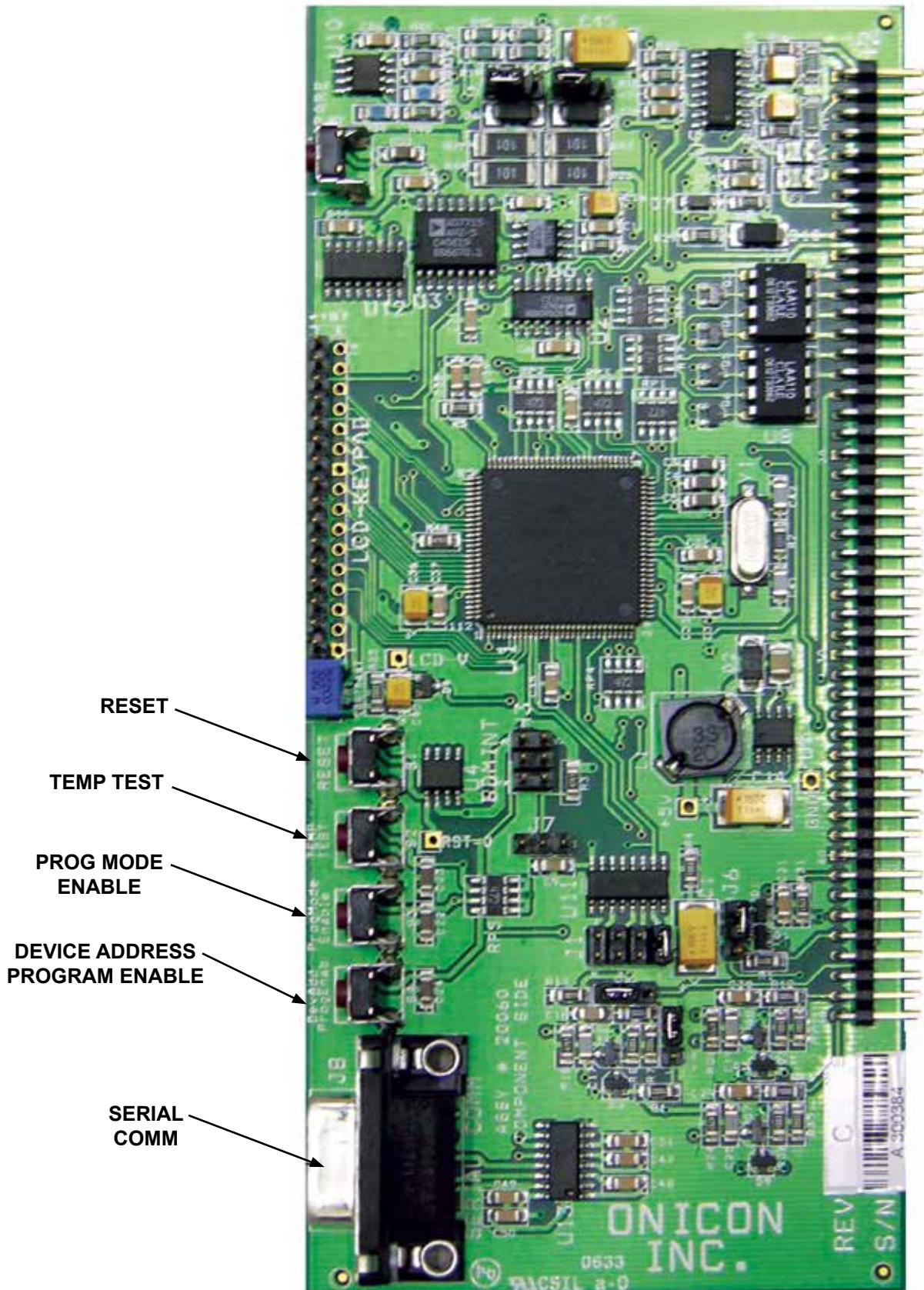


BTU COMPUTER BOARD

EXPANSION SLOTS FOR
1. COMMUNICATIONS BOARD
2. ANALOG OUTPUT BOARD

POWER SUPPLY
Standard: 120 VAC
Optional: 24 VAC

SYSTEM-10 BTU METER COMPUTER BOARD



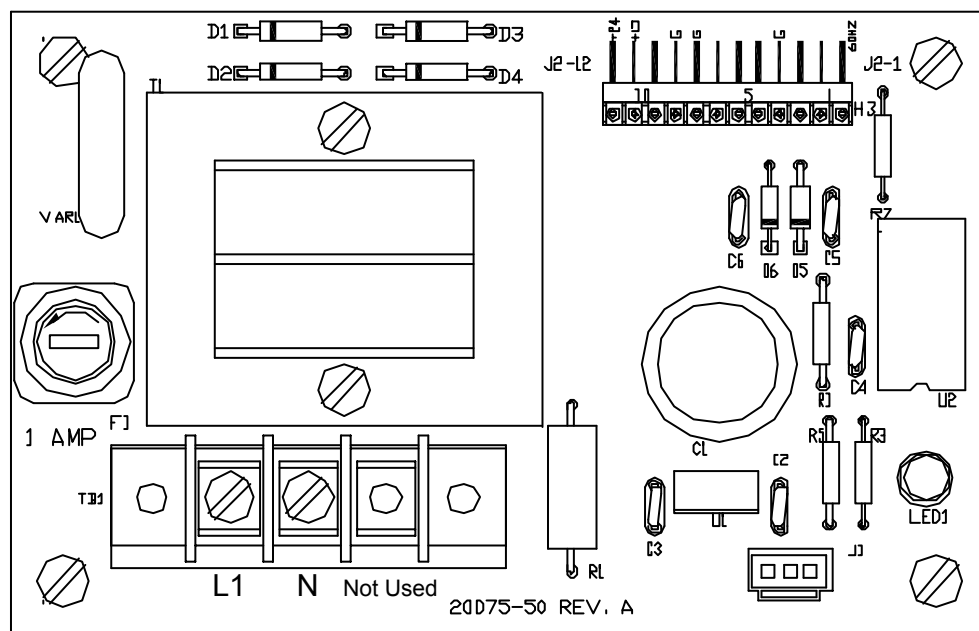
SYSTEM-10 BTU METER MOTHER BOARD POWER SUPPLY BOARD



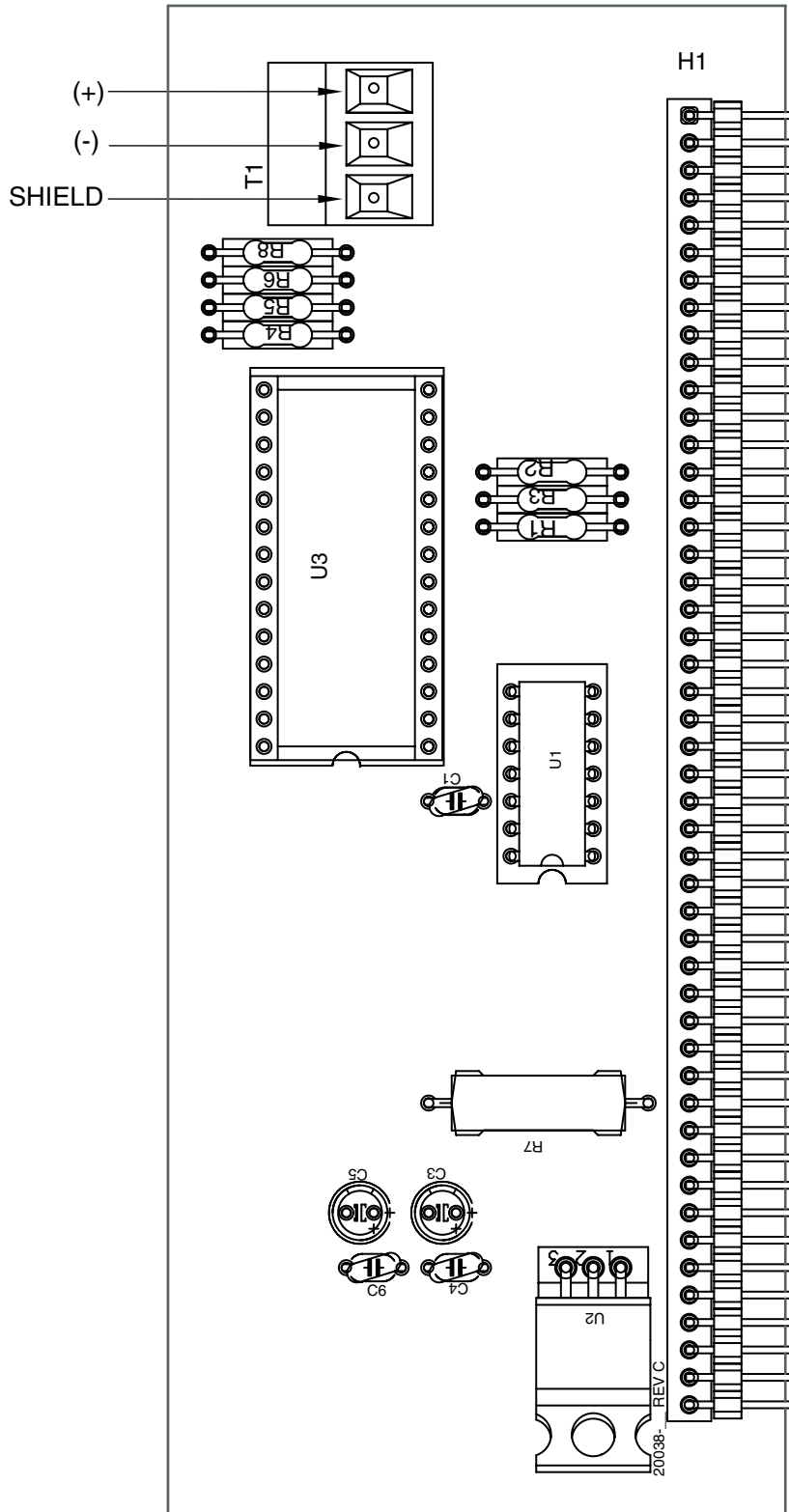
24 VAC - 1 Amp Slo-Blo, 3AG Fuse

120 VAC - 1/4 Amp Slo-Blo, 3AG Fuse

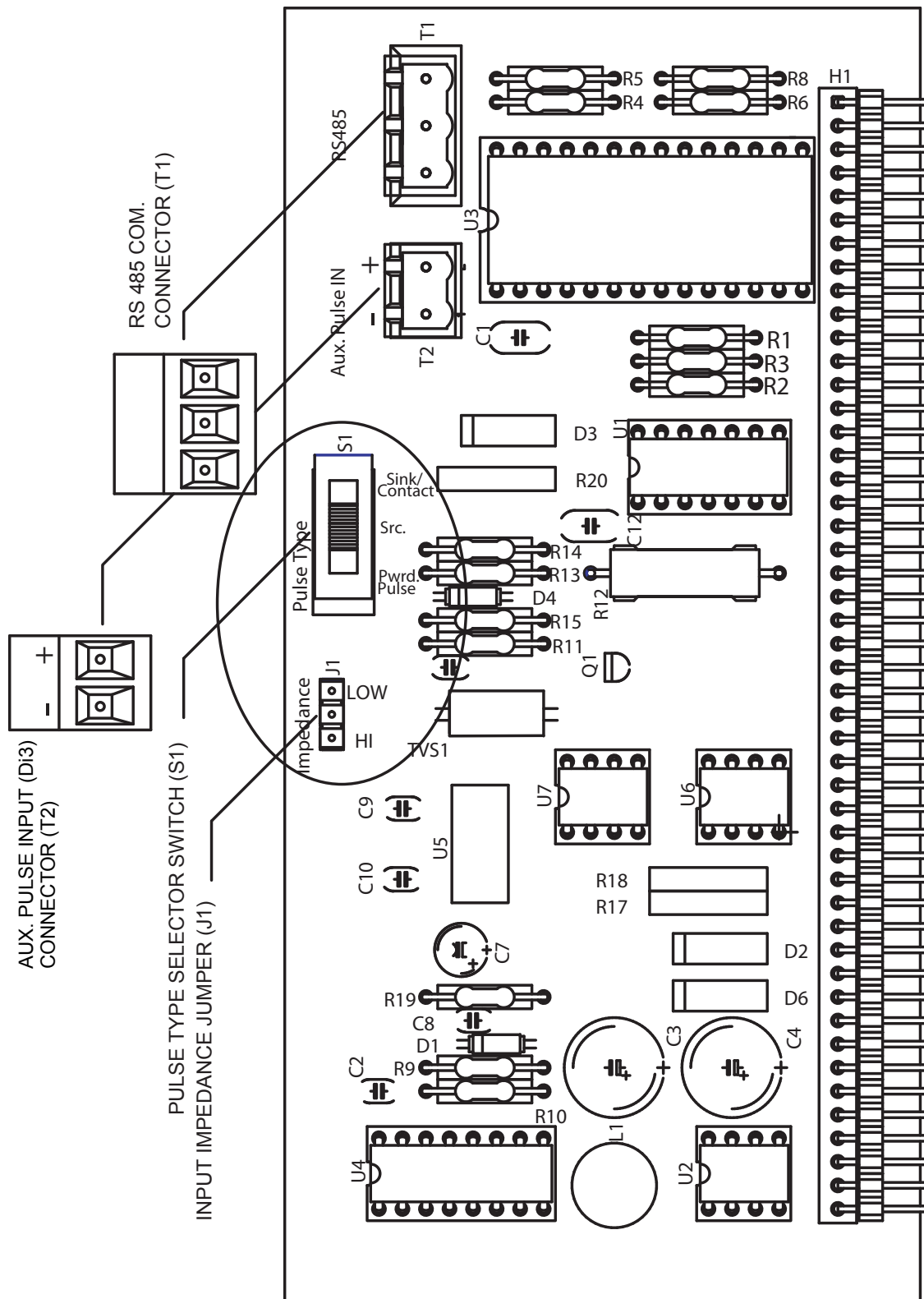
240 VAC - 1/8 Amp Slo-Blo, 3AG Fuse



SYSTEM-10 BTU METER P1 BOARD

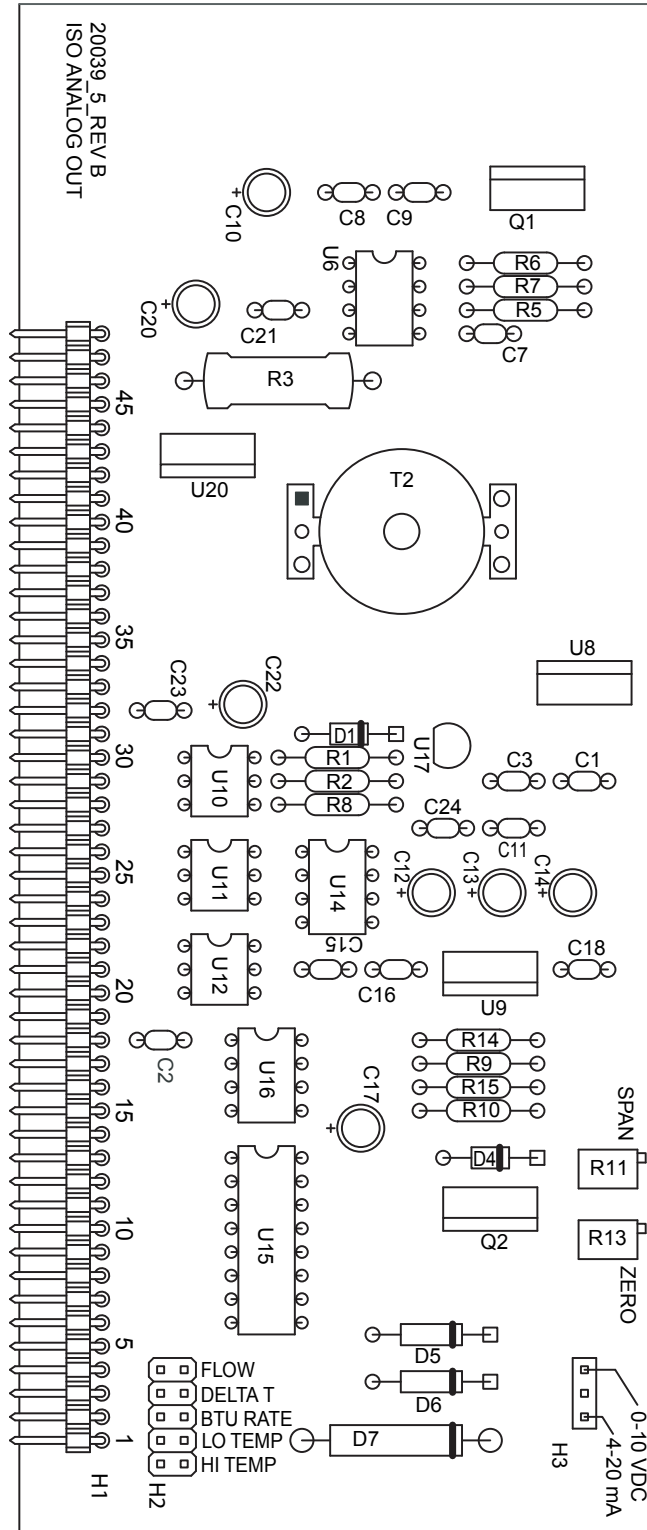


SYSTEM-10 BTU METER P1 Board with Optional Digital Input Pulse (Di3)

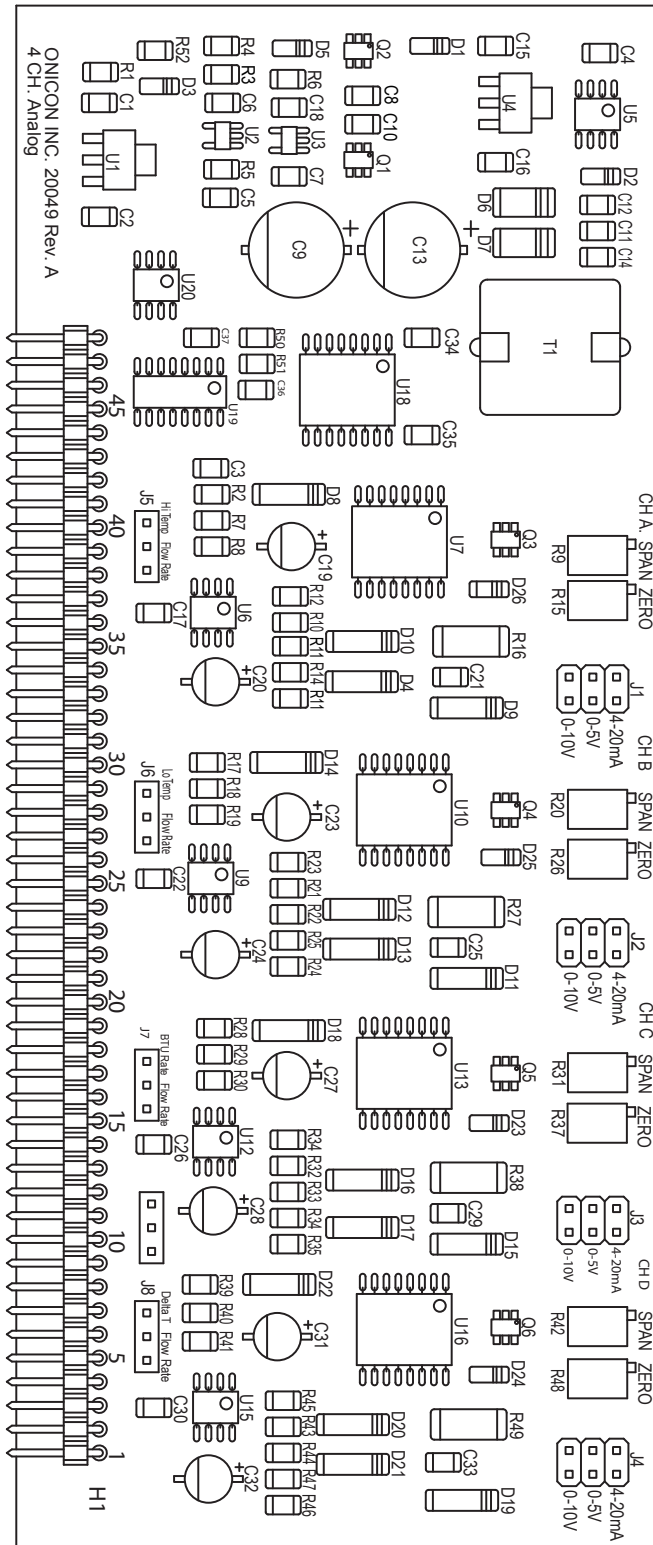


SYSTEM-10 BTU METER ANALOG OUTPUT BOARD

with 1 analog output



SYSTEM-10 BTU METER ANALOG OUTPUTS BOARD with 4 analog outputs



CONDITIONS OF SALE

1. **ACCEPTANCE:** The following Conditions of Sale apply to all sales of ONICON's products. These provisions shall apply even if ONICON fails to object to provisions appearing on, incorporated by, referenced in, or attached to Buyer's purchase order form. Buyer's acceptance of delivery of ONICON's products constitutes its acceptance of these Conditions of Sale.
2. **DELIVERY AND TITLE:** All product shipments are Ex Works shipping point and title passes to the Buyer at the time ONICON delivers the merchandise to the carrier. Risk of loss or damage to the product passes to the Buyer at the time ONICON delivers the product to the carrier. The Buyer immediately upon receipt should inspect all shipments, and should there be any evidence of damage or loss in transit, Buyer must file claims or tracers upon carrier. ONICON will assist in tracing shipments upon request.
3. **LIMITED WARRANTY:** ONICON warrants that for a period of two (2) years following the date of original shipment of an ONICON product: (i) the product will conform to ONICON's standard written specifications applicable to such product in effect on the date of Buyer's order, or as modified by ONICON's quotation or Buyer's purchase order accepted by ONICON, (ii) the product will be free from defects in workmanship, and (iii) that ONICON has title to the product prior to shipment to the Buyer; provided, however, that the warranties provided herein shall be void and may not apply in the event Buyer misuses or damages a product, including, but not limited to, any use by the Buyer of a product for an application other than one of a type approved by ONICON. ONICON's sole liability and Buyer's sole remedy for any breach of the foregoing warranty is for ONICON to repair or replace, at ONICON's option, any defective product that is returned to ONICON during the warranty period. EXCEPT AS MAY BE SPECIFICALLY AGREED BY ONICON IN WRITING IN RELATION TO EACH SALE, NO OTHER WARRANTIES SHALL APPLY, WHETHER EXPRESSED, IMPLIED OR STATUTORY, AND THERE SHALL BE NO IMPLIED WARRANTIES OF MERCHANTABILITY AND FITNESS FOR A PARTICULAR PURPOSE.
4. **REMEDIES:** ONICON's OBLIGATION UNDER THE FOREGOING WARRANTIES IS LIMITED SOLELY TO REPAIR OR REPLACEMENT, AT ONICON's OPTION, OF DEFECTIVE OR NONCONFORMING PRODUCTS. ONICON SHALL NOT BE LIABLE FOR CONSEQUENTIAL, INDIRECT, PUNITIVE, INCIDENTAL, OR SPECIAL DAMAGES WHETHER FOUND ON CONTRACT, TORT OR ANY OTHER THEORY OF LAW. No products shall be returned to ONICON without its prior consent and transportation and insurance costs shall be prepaid. Any repair or replacement of ONICON's products under the foregoing warranty will be at no charge to the Buyer provided such repair is done at the ONICON factory or authorized service center. ONICON products that are repaired or replaced under this warranty will be returned to Buyer via the same method of shipment use to return the product to ONICON. Repair or replacement of ONICON products is conditioned upon ONICON's acknowledgement of any alleged defect or nonconformance during the warranty period and issuance of a Return Authorization number. All product returns must reference the Return Authorization number on the outside of the shipping carton and on any paperwork referencing the return.
5. **PRICES AND PAYMENT TERMS:** The prices set forth in the most recent quote or acknowledgement as applicable, supersede all previous prices or quotations. All quotations are subject to change or withdrawal without notice except as may be specifically noted on the face of the quotation. The prices shown do not include sales, excise or government charges payable by ONICON to Federal, State, or local authority. Any such tax or charge now or hereafter imposed upon the sale or shipment of the products under this contract will be added to the purchase price. Buyer agrees to reimburse ONICON for such tax or charge or provide ONICON with an acceptable exemption certificate. Payment of invoices will be due 30 days from the date of shipment of the products contained therein. In the event that payment of an invoice is not received by the invoice due date, ONICON will assess a late fee not to exceed 1.5% per month or 18% per year, or the maximum allowable by law whichever is lower.
6. **CANCELLATION:** Buyer may cancel its order, or any part of it, by sending written notice of cancellation to ONICON and paying a reasonable cancellation fee as determined by ONICON. The reasonable cancellation fee will reflect, among other factors, the expenses already incurred and commitments made by ONICON, sales and administrative costs and profit as determined by ONICON. If Buyer received a reduced price based on the quantity of products ordered, but has not purchased the applicable quantity at the time of cancellation, Buyer will pay the price it would have paid had ONICON's sale price been based on the quantity actually purchased.
7. **CHANGES:** If Buyer makes any changes in its drawings, designs, or specifications applicable in any contract with ONICON that cause an increase or decrease in the cost of performance of the contract, or if such changes result in rework or obsolescence, an equitable adjustment shall be made to the contract. Such changes are subject to ONICON's prior written consent.
8. **EXCUSABLE DELAY:** ONICON shall under no circumstance be responsible for failure to fill any order or orders when due to: fires, floods, riots, strikes, freight embargoes or transportation delays, shortage of labor, inability to secure fuel, material supplies, or power at current price or on account of shortages thereof, acts of God or of the public enemy, any existing or future laws or acts of the Federal or State Government (including specifically, but not exclusively, and orders, rules or regulations issued by any official or agency of any such government) affecting the conduct of ONICON's business with which ONICON in its judgment and discretion deems it advisable to comply as a legal or patriotic duty, or due to any cause beyond ONICON's reasonable control.
9. **PATENTS:** ONICON shall defend all suits or proceedings brought against Buyer or its customers arising from claimed infringements of any patent, trademark, service mark or copyright for any product furnished by ONICON and shall indemnify it against all costs, fees, and damages on the condition Buyer promptly notifies ONICON in writing and provides information and assistance to enable ONICON to conduct the defense, provided that ONICON shall have no such obligation in case of infringement resulting from ONICON's conformance to special requirements of Buyer. If ONICON is not able to settle any such suit or proceeding on acceptable terms, ONICON may, at its option, require return of the infringing product and refund the purchase price to Buyer less a reasonable allowance for depreciation or use.
10. **FAIR LABOR STANDARDS ACT:** ONICON represents that all products delivered under this contract are furnished in accordance with the applicable provisions of the Fair Labor Standards Act as amended.
11. **APPLICABLE LAW:** This document and any resulting contract shall be governed by and construed in accordance with the laws of the State of Florida. The courts of the State of Florida and the federal courts located in Florida shall have jurisdiction and venue with respect to litigation to this contract. In the event of litigation, the prevailing party shall be entitled to recover attorney's fees and costs from the non-prevailing party, including appellate attorney's fees.
12. **MODIFICATIONS:** These Conditions of Sale along with the prices, quantities, delivery schedules and other provisions and instructions in applicable quotations by ONICON or Buyer's purchase orders accepted by ONICON shall constitute the entire agreement between ONICON and Buyer pertaining to any resulting contract. They can be modified only in writing.